



QuickPass Top Dresser

Parts Catalog



CE P/N: 60041010R06

Serial Number Range: 15922 - 21115

**TYCROP Manufacturing Ltd.
Rosedale, British Columbia, V0X 1X0, Canada
www.tycropturf.com**

**Copyright © 2004 TYCROP Manufacturing Ltd.
All rights reserved**

Manual Number: 60041010
Printed in Canada, December 9, 2009

All information, illustrations, and specifications in this manual are based on the latest information at the time of publication. We reserve the right to make changes at any time without notice.



Table of Contents

Parts Ordering.....	1
Base Model.....	2
Base Model Parts Listing.....	3
Base Model Bed Assembly.....	6
Base Model Bed Assembly Parts Listing.....	7
Base Model Chassis.....	8
Base Model Chassis Parts Listing.....	9
Base Model Hydraulics.....	10
Base Model Hydraulics Parts Listing.....	11
Base Model Decals.....	12
Base Model Decals Parts Listing.....	13
300 Red Hopper.....	14
300 Red Hopper Parts Listing.....	15
300 Red Hopper.....	16
300 Red Hopper Parts Listing.....	17
450 Yellow Hopper.....	18
450 Yellow Hopper Parts Listing.....	19
450 Red Hopper.....	20
450 Red Hopper Parts Listing.....	21
Honda Engine Option.....	22
Honda Engine Option Parts Listing.....	23
Tow Vehicle Hydraulic Option.....	32
Tow Vehicle Hydraulic Option Parts Listing.....	33
Two-Way Switch Option for Tow Vehicle Hydraulics.....	34
Two-Way Switch Option for Tow Vehicle Hydraulics Parts Listing.....	35
Electrical Details for Two-Way Switch Option with Tow Vehicle Hydraulics.....	37
Twin Spinner Option.....	38
Twin Spinner Option Parts Listing.....	39
Finishing Brush Option.....	42
Finishing Brush Option Parts Listing.....	43
Vortex Brush Option.....	44
Vortex Brush Option Parts Listing.....	45



Parts Ordering

Replacement parts must have the same measurements and strength as those removed.

When ordering genuine TYCROP replacement parts, please supply the following information from the identification plate (see Figure 1 in the Operator's Manual):

- Product Serial Number
- Part Number and Description
- Quantity

All orders will be shipped ground from TYCROP Manufacturing, unless otherwise specified by the distributor or customer.

Descriptions and specifications contained in the QuickPass manuals were in effect at time of publication and are subject to change without notice or liability.

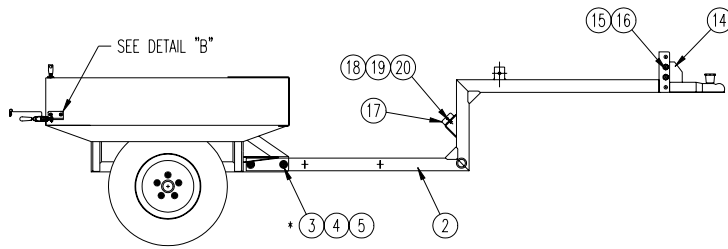
Order parts by contacting your local authorized TYCROP distributor, or by contacting:

TYCROP Manufacturing Ltd.

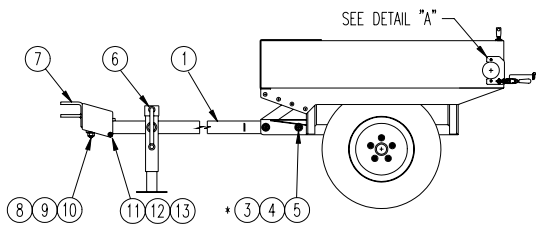
9880 McGrath Rd
Rosedale, B.C.
Canada, V0X 1X0
1-877-892-7671

Joel Fast, Parts
Walt Neufeld, Service
Paul Berger, Service

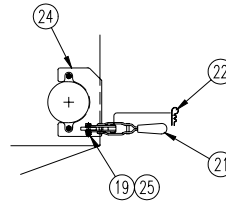
Base Model



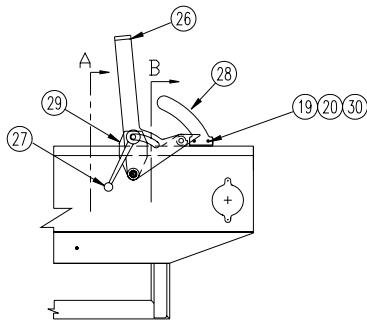
R. SIDE VIEW



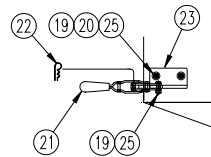
L. SIDE VIEW



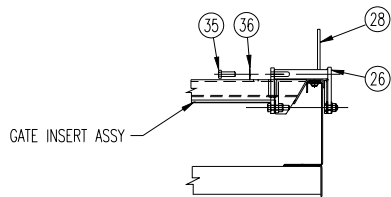
DETAIL - A



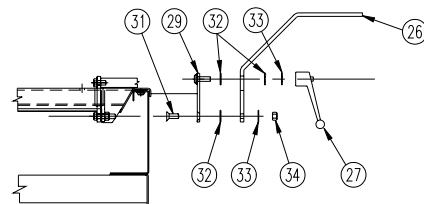
R. SIDE VIEW



DETAIL - B



SECTION B-B



SECTION A-A

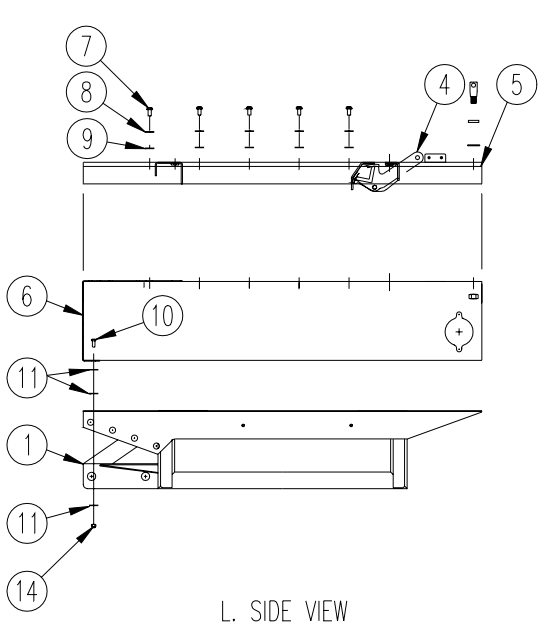
* WASHERS BOTH SIDES

01-356950

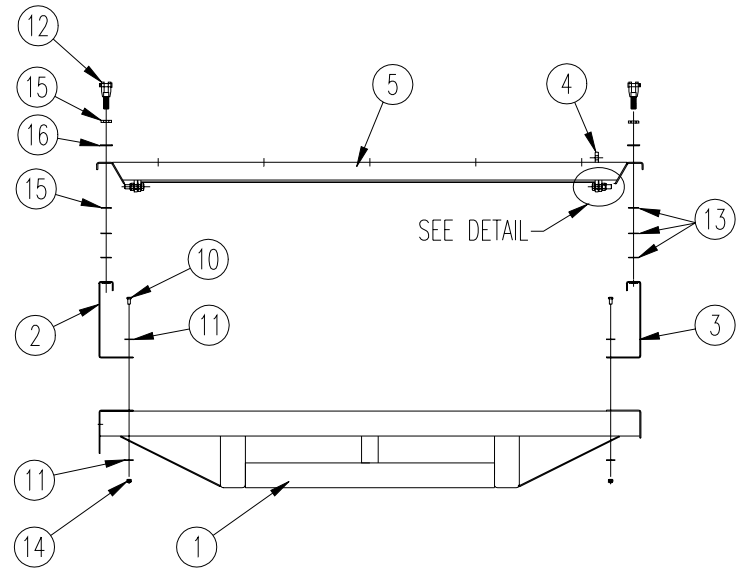


Base Model Parts Listing

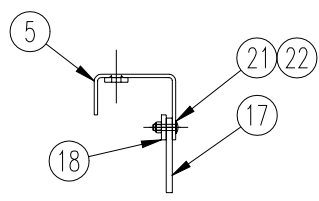
ITEM	PART DESCRIPTION	SERIAL	TO SERIAL	PART NO.	REV	QTY
1	HITCH TUBE	15922	21115	36032111	00	1
2	FIFTH WHEEL HITCH	15922	21115	36046000	00	1
3	BOLT - NC GR8 3/4" x 4-1/2"	15922	21115	50031256	00	2
4	NUT - NYLOCK NC GR8 3/4"	15922	21115	50251007	00	2
5	WASHER - FLAT GR8 METALLOY 3/4"	15922	21115	50421034	00	4
6	JACK - TOPWIND	15922	21115	0000-3423	00	1
7	2 POSITION HITCH	15922	21115	36042120	00	1
8	BOLT - GR5 3/4" x 3-1/2"	15922	21115	50011238	00	1
9	NUT - NYLOCK 3/4"	15922	21115	50241022	00	1
10	WASHER - FLAT 3/4"	15922	21115	50421016	00	2
11	BOLT - GR5 3/8" x 4"	15922	21115	50011100	00	1
12	NUT - NYLOCK 3/8"	15922	21115	50241012	00	1
13	WASHER - FLAT 3/8"	15922	21115	50421006	00	2
14	BALL COUPLER	15922	21115	36036010	00	1
15	BOLT - GR5 5/8" x 5"	15922	21115	50011208	00	2
16	NUT - NYLOCK 5/8"	15922	21115	50241020	00	2
17	RUBBER BUMPER	15922	21115	62011020	00	1
18	BOLT - GR5 1/4" x 1-1/4"	15922	21115	50011008	00	1
19	NUT - NYLOCK 1/4"	15922	21115	50241008	00	6
20	WASHER - FLAT GR8 1/4"	15922	21115	50421029	00	7
21	CLAMP	15922	21115	36041570	00	2
22	LOCK PIN	15922	21115	50992350	00	2
23	CLAMP BRACKET - R.H.	15922	21115	36041590	00	1
24	CLAMP BRACKET - L.H.	15922	21115	36041580	00	1
25	BOLT - NC GR8 1/4" x 1"	15922	21115	50031002	00	6
26	GATE ARM	15922	21115	36041122	00	1
27	HANDLE - CLAMP	15922	21115	62011037	00	1
28	MEASUREMENT GUAGE	15922	21115	36041124	02	1
29	MOUNT TAB	15922	21115	36041126	00	1
30	BOLT - PANHEAD PHILLIPS 1/4" x 1"	15922	21115	50071220	00	2
31	BOLT - FLAT HEAD 1/2" x 1-1/2"	15922	21115	51151026	00	1
32	WASHER - UHMW	15922	21115	36041128	00	3
33	WASHER - FLAT GR8 1/2"	15922	21115	50421030	00	2
34	NUT - NYLOCK GR8 1/2"	15922	21115	50251004	00	1
35	BOLT - NC GR8 1/2" x 1-1/2"	15922	21115	50031134	00	1
36	WASHER - LOCKING METALLOY 1/2"	15922	21115	50401041	00	1



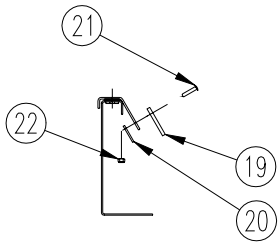
L. SIDE VIEW



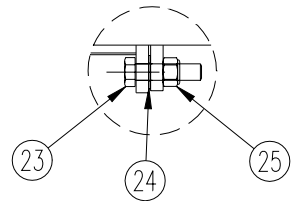
REAR VIEW



FRONT SEAL RUBBER



SIDE SEAL RUBBER



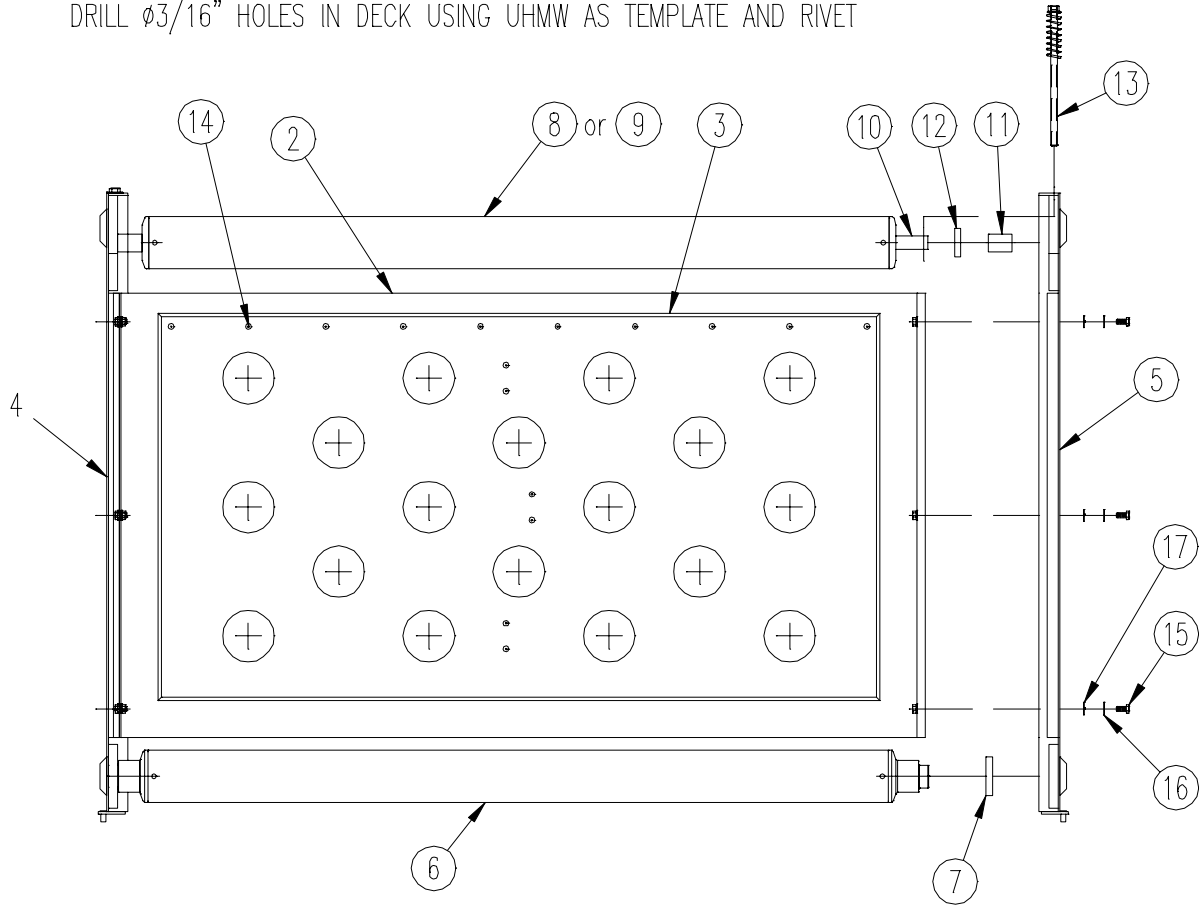
DETAIL



ITEM	PART DESCRIPTION	SERIAL	TO SERIAL	PART NO.	REV	QTY
1	TRAILER FRAME	15922	21115	36042000	01	1
2	SIDE CHANNEL - L.H.	15922	21115	36041520	00	1
3	SIDE CHANNEL - R.H.	15922	21115	36041530	00	1
4	GATE - PIPE ASSEMBLY	15922	21115	36041130	00	1
5	GATE INSERT ASSEMBLY	15922	21115	36041120	01	1
6	BULKHEAD	15922	21115	36041510	01	1
7	BOLT - NC GR8 3/8" x 1"	15922	21115	50031070	00	10
8	WASHER - LOCKING METALLOY 3/8"	15922	21115	50401044	00	10
9	WASHER - FLAT GR8 3/8"	15922	21115	50421028	00	10
10	BOLT - NC GR8 5/16" x 1"	15922	21115	50031038	00	8
11	WASHER - FLAT GR8 5/16"	15922	21115	50421026	00	14
12	ATTACHMENT YOKE	15922	21115	36031560	01	2
13	SHIM - AS REQUIRED	15922	21115	36041550	00	-
14	NUT - NYLOCK GR8 5/16"	15922	21115	50251003	00	8
15	NUT - JAM GR8 5/8"	15922	21115	50140987	00	2
16	WASHER - FLAT GR8 5/8"	15922	21115	50421032	00	2
17	RUBBER - HOPPER SKIRT	15922	21115	See Item 26	00	1
18	BAR - SKIRT	15922	21115	36031140	00	1
19	RUBBER - CONVEYOR SKIRT	15922	21115	See Item 26	00	2
20	RETAINER - CONVEYOR SKIRT	15922	21115	36031540	03	2
21	BOLT - CARRIAGE 1/4" x 1"	15922	21115	50091004	00	31
22	NUT - NYLOCK GR8 1/4"	15922	21115	50251000	00	31
23	BOLT - NC GR8 1/2" x 1-3/4"	15922	21115	50031136	00	2
24	WASHER - SS ZZ1 1/2" MACHINE	15922	21115	50421500	00	2
25	NUT - NYLOCK GR 81/2"	15922	21115	50251004	00	2
26	SEAL KIT (Incl Items 17&19)	15922	21115	36031010	00	1

Base Model Bed Assembly

DRILL $\phi 3/16$ " HOLES IN DECK USING UHMW AS TEMPLATE AND RIVET



SIDE VIEW OF BELT

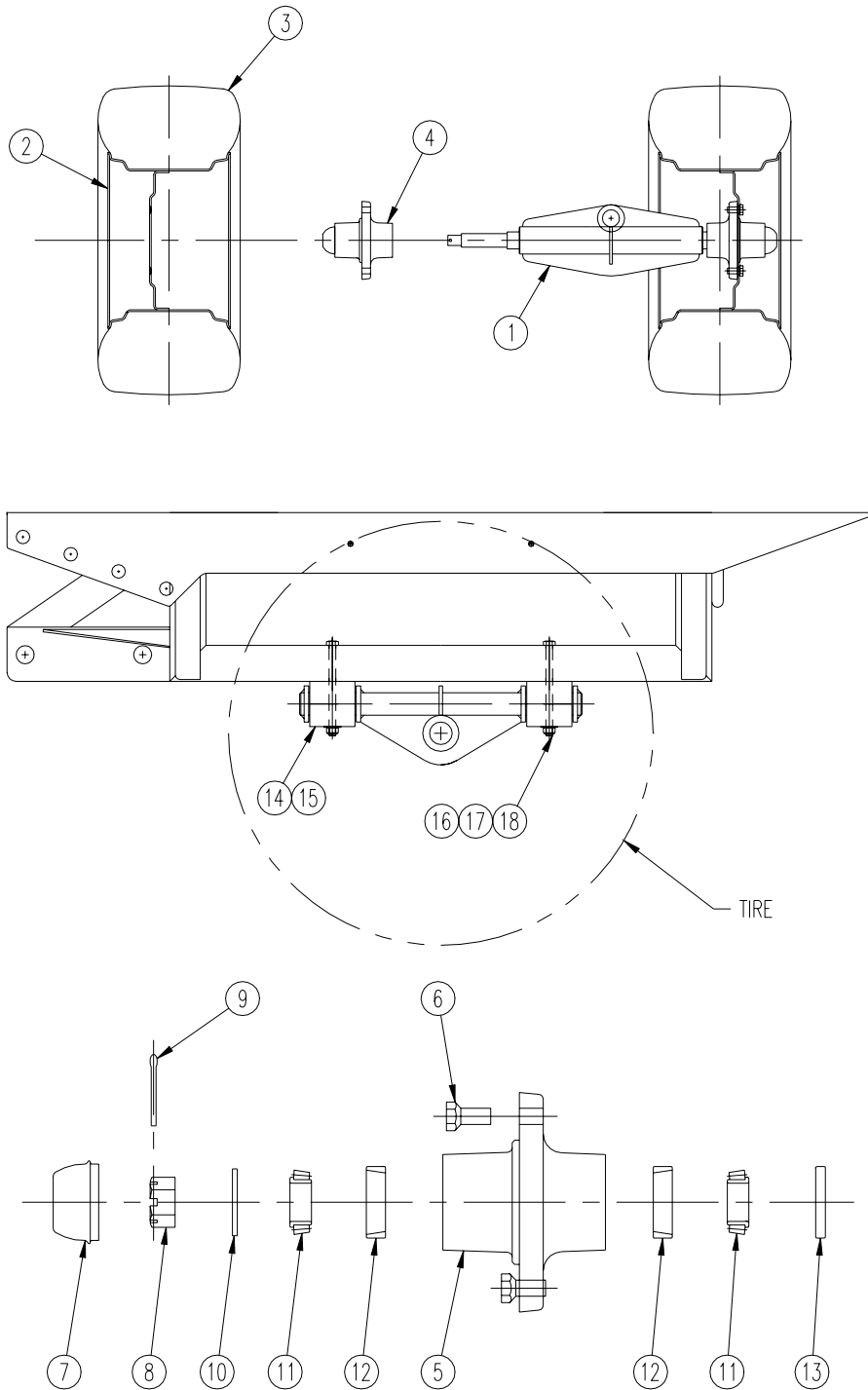
01-35720D



Base Model Bed Assembly Parts Listing

ITEM	PART DESCRIPTION	SERIAL	TO SERIAL	PART NO.	REV	QTY
1	CONVEYOR BELT	15922	21115	60191010	00	1
2	CONVEYOR BED	15922	21115	36031600	03	1
3	PLATE - CONVEYOR BED	15922	21115	36031680	02	1
4	CONVEYOR CHANNEL - L.H.	15922	21115	36031610	03	1
5	CONVEYOR CHANNEL - R.H.	15922	21115	36031620	03	1
6	ROLLER - DRIVE	15922	21115	36031630	01	1
7	BEARING - DRIVE ROLLER	15922	21115	60112584	00	2
*	HD IDLER ROLLER ASSY UPGRADE (1-3/8" SHAFT W/3" ROLLER BEARINGS) INCLUDES SPRING TENSIONERS AND SPACERS	-----		0001-4824		1
9	IDLER ROLLER AND SHAFT ASSEMBLY	15922	19625	36031690	00	1
9b	IDLER ROLLER AND SHAFT ASSEMBLY (SPHERICAL BEARING)	19626	21115	36031645	00	1
10	SHAFT - IDLER ROLLER	15922	21115	36031650	00	1
11	SPACER - IDLER ROLLER	15922	19625	36031660	03	2
11b	SPACER - IDLER ROLLER (SPHERICAL BRG)	19626	21115	0001-5193	03	2
12	BEARING - IDLER ROLLER	15922	19625	60112582	00	2
12b	BEARING (SPHERICAL) - IDLER ROLLER	19626	21115	0001-4911	00	2
13	TENSIONER ROD	15922	19625	36031670	01	2
13b	TENSIONER ROD WITH SPRING ASSY	19626	21115	0000-7956	01	2
14	RIVET	15922	21115	52011018	00	16
15	BOLT - NC GR8 3/8" x 3/4"	15922	21115	50031068	00	6
16	WASHER - LOCKING METALLOY 3/8"	15922	21115	50401044	00	6
17	WASHER - FLAT GR8 3/8"	15922	21115	50421028	00	6
*	GRIP TAPE KIT FOR DRIVE ROLLER	15922	21115	36031632	00	1

Base Model Chassis



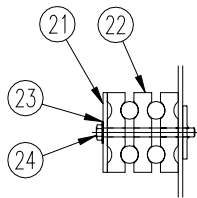
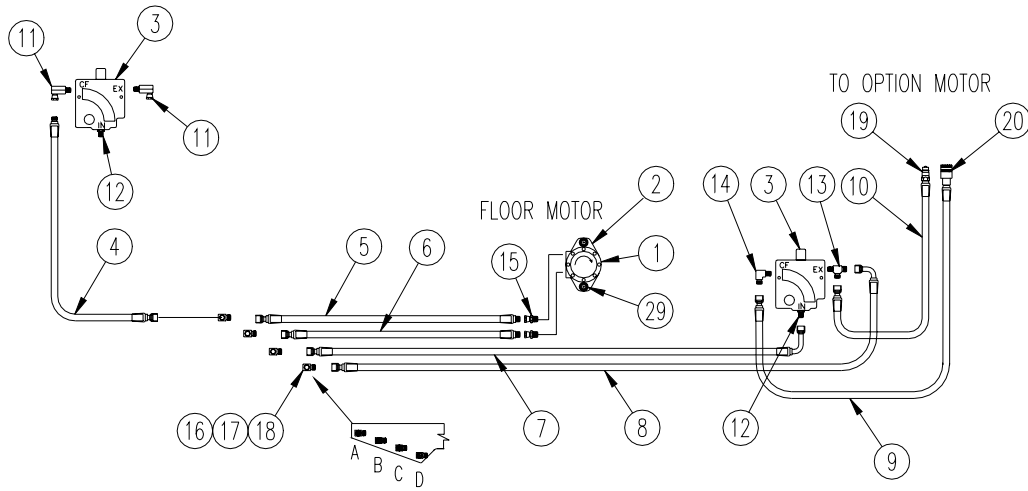
01-35722D



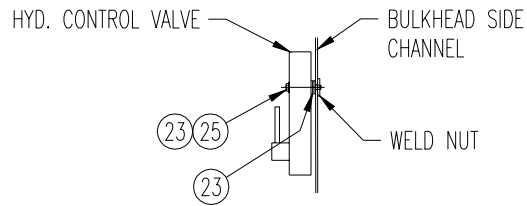
Base Model Chassis Parts Listing

ITEM	PART DESCRIPTION	SERIAL	TO SERIAL	PART NO.	REV	QTY
1	WALKING BEAM	15922	21115	36032020	00	2
2	WHEEL	15922	21115	54011017	00	4
3	TIRE	15922	21115	68021070	00	4
4	HUB ASSEMBLY (Incl. Items 6, 7, 11, 12 ,13)	15922	21115	54031034	00	4
5	HUB (See Item 4)	15922	21115	54031034	00	4
6	BOLT	15922	21115	54051052	00	20
7	CAP	15922	21115	54051031	00	4
8	NUT	15922	21115	54051057	00	4
9	COTTER PIN	15922	21115	50991020	00	4
10	WASHER	15922	21115	54051067	00	4
11	BEARING	15922	21115	54050950	00	8
12	RACE	15922	21115	54051039	00	8
13	SEAL	15922	21115	54051017	00	4
14	WALKING BEAM BEARING	15922	21115	36032010	00	4
15	GREASE FITTING - BEARING	15922	21115	50991112	00	4
16	BOLT - NC GR8 3/8" x 6"	15922	21115	50031098	00	8
17	NUT - NYLOCK GR8 3/8"	15922	21115	50251002	00	8
18	WASHER - FLAT GR8 3/8"	15922	21115	50421028	00	16

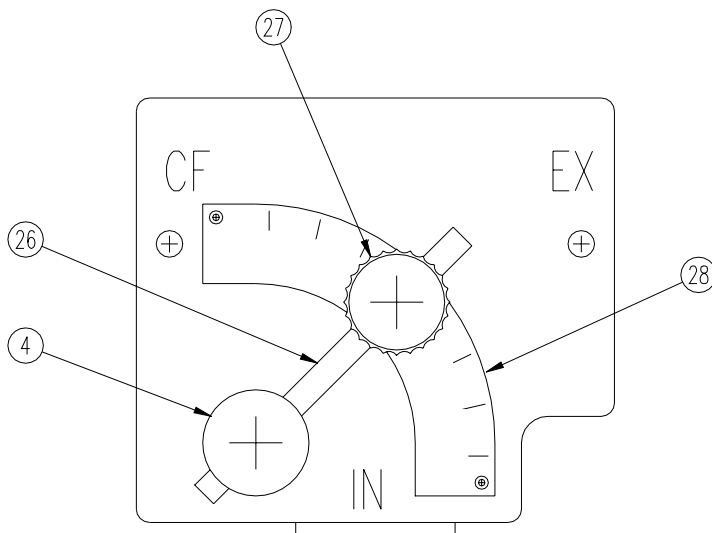
Base Model Hydraulics



HOSE CLAMP ASSY (2 PER MACHINE)



FLOW CONTROL (2 PER MACH.)



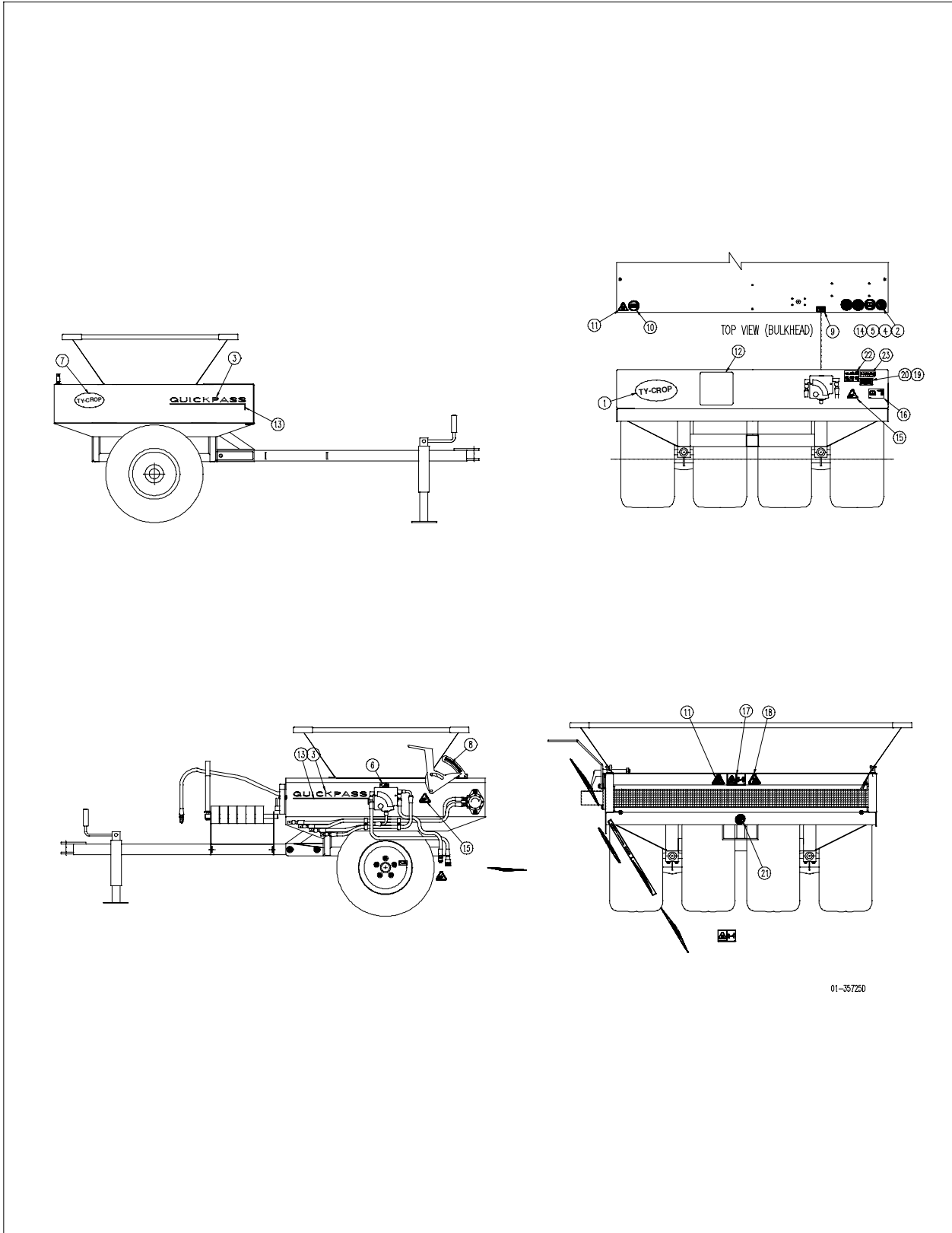
01-357240



Base Model Hydraulics Parts Listing

ITEM	PART DESCRIPTION	SERIAL	TO SERIAL	PART NO.	REV	QTY
1	HYD MOTOR (103-1040)	15922	-----	56011000	00	1
*	HYD MOTOR SEAL KIT	15922	-----	56013000	00	1
2	TWO BOLT FLANGE PLATE	15922	-----	56013500	00	1
3	HYD VALVE CONTROL	15922	-----	56051000	00	2
*	HYD VALVE CONTROL SEAL KIT	15922	-----	56051080	00	1
4	1/2" HOSE ASSEMBLY	15922	-----	36043090	00	1
5	1/2" HOSE ASSEMBLY FLOOR PRESSURE	15922	-----	36043100	00	1
6	1/2" HOSE ASSEMBLY FLOOR RETURN	15922	-----	36043110	01	1
7	1/2" HOSE ASSEMBLY	15922	-----	36043120	00	1
8	1/2" HOSE ASSEMBLY	15922	-----	36043130	00	1
9	1/2" HOSE ASSEMBLY	15922	-----	36043140	01	1
10	1/2" HOSE ASSEMBLY	15922	-----	36043150	01	1
11	SWV 90 1/2"MPT - 1/2"FPT	15922	-----	56091052	00	2
12	CONN STR 1/2"MJIC - 1/2"MPT	15922	-----	56091158	00	2
13	TEE 1/2"MJIC - 1/2"MJIC - 1/2"MPT	15922	-----	56091336	00	1
14	ELBOW 90 1/2"MJIC - 1/2"MPT	15922	-----	56091184	00	1
15	SWV STR 5/8"MORG - 1/2"FPT	15922	-----	56091208	00	2
16	FITTING JIC BULKHAD 1/2" Z	15922	-----	56092020	00	4
17	NUT FOR JIC BULKHEAD 1/2" FTG	15922	-----	56092022	00	4
18	BRUSHING MACH (WASHER) 3/4"	15922	-----	50601004	00	4
19	MALE QUICK COUPLER 1/2"	15922	-----	56151014	00	1
20	FEMALE QUICK COUPLER 1/2"	15922	-----	56151009	00	1
21	CLAMP PLATE	15922	-----	36033040	01	2
22	HYDRAULIC HOSE CLAMP	15922	-----	56171012	00	6
23	WASHER - FLAT GR8 1/4"	15922	-----	50421029	00	18
24	BOLT - NC GR8 1/4" x 3-3/4"	15922	-----	50031023	00	2
25	BOLT - NC GR8 1/4" x 2-1/2"	15922	-----	50031016	00	4
26	LEVER - FLOW CONTROL	15922	-----	56051085	00	2
27	KNOB - FLOW CONTROL	15922	-----	56051084	00	2
28	SPEED SCALE PLATE	15922	-----	56051086	00	2
29	BOLT - SOCKET HEAD 1/2" x 2-1/4" NC	15922	-----	51151300	00	2

Base Model Decals



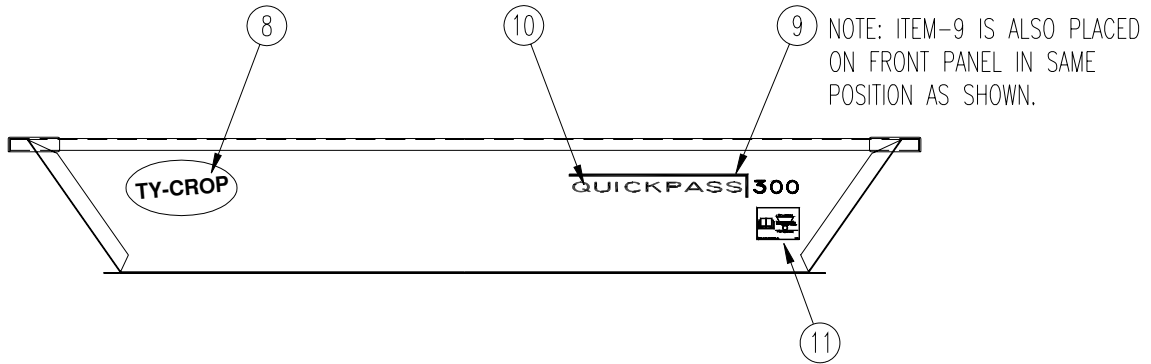
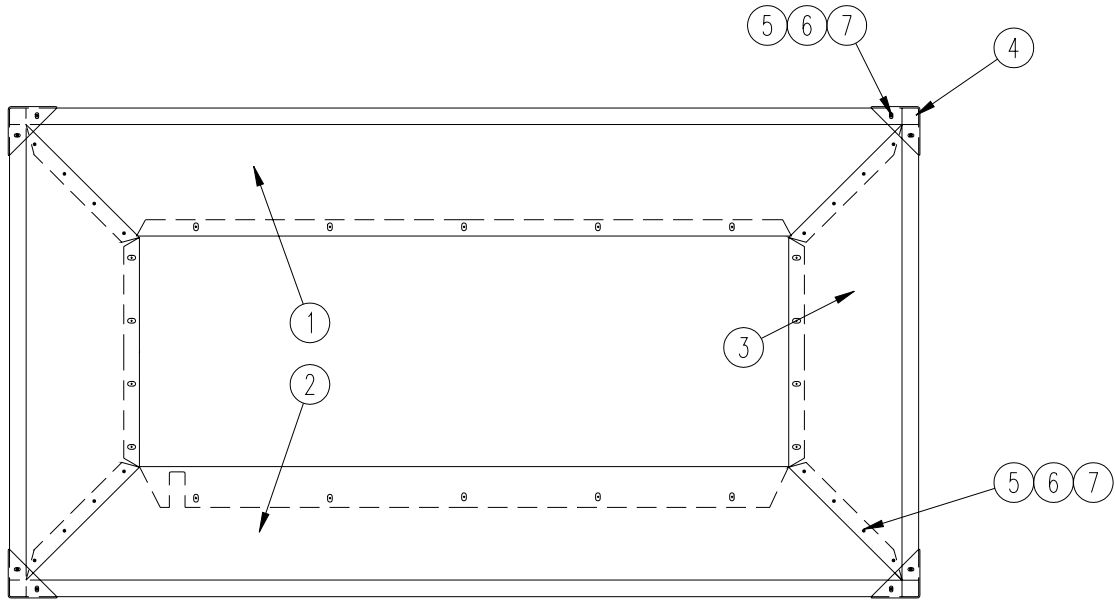
01-367250



Base Model Decals Parts Listing

ITEM	PART DESCRIPTION	SERIAL	TO SERIAL	PART NO.	REV	QTY
1	TYCROP LOGO - LARGE	15922	21115	0000-6034	00	1
2	TY-400 ISO NO RIDERS	15922	21115	60033505	00	1
3	TY-277 QUICKPASS - SMALL	15922	21115	60031711	00	2
4	TY-396 ISO NO MAINTENACE WHILE IN USE	15922	21115	60033501	00	1
5	TY-414 ISO READ MANUAL	15922	21115	60033517	00	1
6	TY-403 ISO ATTACHMENT CONTROL	15922	21115	60033508	00	1
7	TY-CROP LOGO - SMALL	15922	21115	0000-6033	00	1
8	TY-272 GATE HEIGHT INDICATOR	15922	21115	60031706	00	1
9	TY-404 ISO FLOOR CONTROL	15922	21115	60033509	00	1
10	TY-409 ISO SERVICE MANUAL	15922	21115	60033514	00	1
11	TY-406 ISO CRUCH HAZARD	15922	21115	60033511	00	2
12	TY-269 EXHAUST - CHASSIS	15922	21115	60031703	00	1
13	TY-278 QUICKPASS STRIPE - LONG	15922	21115	60031712	00	2
14	TY-397 ISO GUARD IN PLACE	15922	21115	60033502	00	1
15	TY-398 ISO FLUID HAZARD	15922	21115	60033503	00	2
16	TY-410 ISO GREASE POINT	15922	21115	60033515	00	1
17	TY-402 ISO PROJECTILES HAZARD	15922	21115	60033507	00	1
18	TY-413 ISO BRUSH HAZARD	15922	21115	60033518	00	1
19	1/8" RIVET	15922	21115	52011010	00	4
20	QUICKPASS SERIAL PLATE	15922	21115	CALL DISTRIB.	00	1
21	TY-426 ISO TIE DOWN POINT	15922	21115	60033544	00	1
22	TY-423 ISO TRAVELLING - QP	15922	21115	60033541	00	1
23	DECAL - TURF PATENTS	18836	21115	0001-5402	00	1

300 Red Hopper



01-35726D01

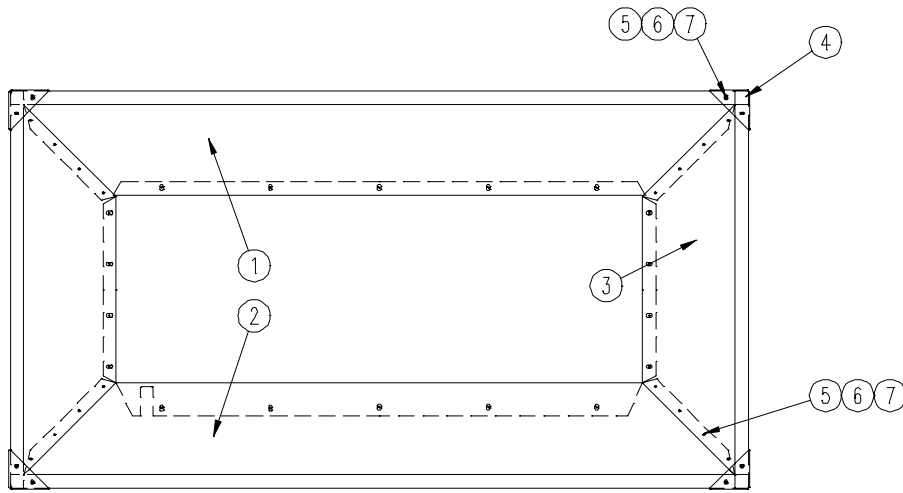


300 Red Hopper Parts Listing

ITEM	PART DESCRIPTION	SERIAL	TO SERIAL	PART NO.	REV	QTY
1	FRONT WALL - BOLT ON	-----	-----	36041110	04	1
2	REAR WALL - BOLT ON	-----	-----	36041112	02	1
3	SIDE WALL - BOLT ON	-----	-----	36041114	03	2
4	CORNER CAP - BOLT ON	-----	-----	36041116	03	4
5	BOLT - SS BUTTON HEAD HD 1/4" x 5/8"	-----	-----	50071076	00	20
6	WASHER - FLAT STAINLESS 1/4"	-----	-----	50421105	00	20
7	NUT - SS NLYOCK 1/4"	-----	-----	50071020	00	20
8	TY-CROP LOGO	-----	-----	0000-6034	00	1
9	TY-274 QP STRIPE - 300	-----	-----	60031708	00	2
10	TY-273 QUICKPASS - LARGE	-----	-----	60031707	00	1
11	TY-425 ISO LOAD - QP 300	-----	-----	60033543	00	1

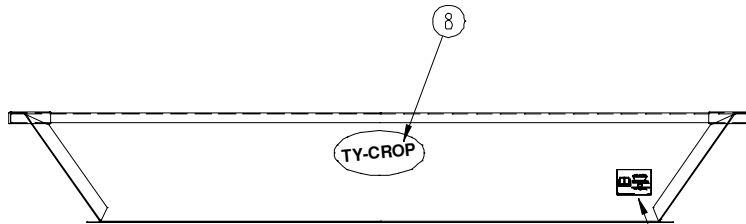


300 Red Hopper

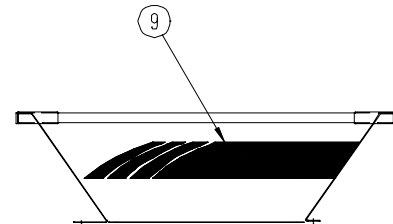


TOP VIEW

ITEM-10 IS ALSO PLACED ON FAR SIDE IN SAME POSITION AS SHOWN.



REAR VIEW



SIDE VIEW

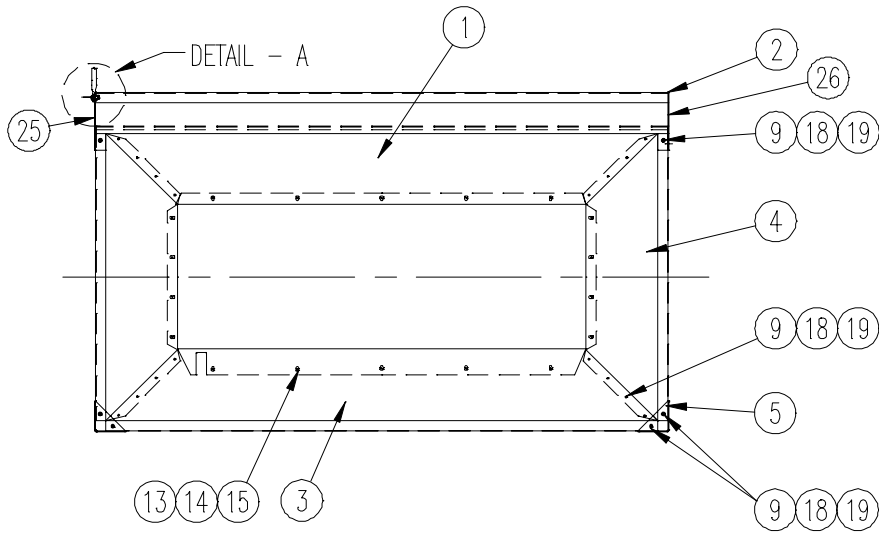
01-35726D



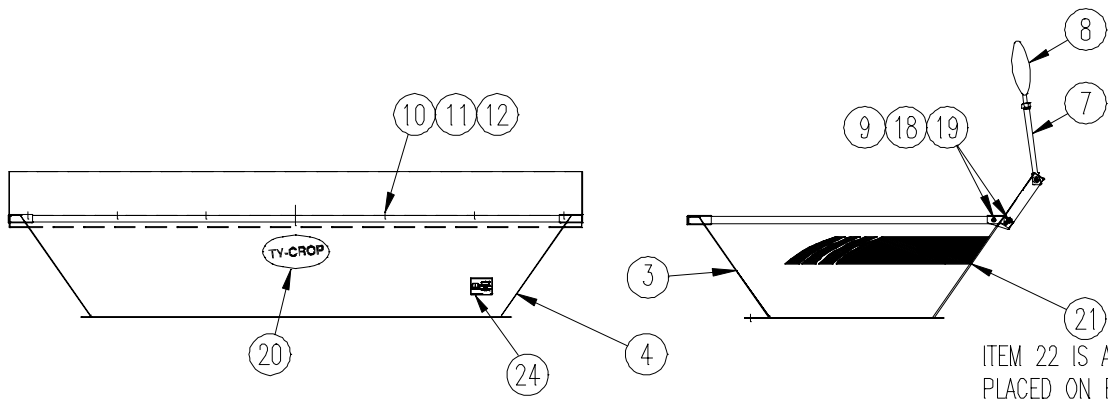
300 Red Hopper Parts Listing

ITEM	PART DESCRIPTION	SERIAL	TO SERIAL	PART NO.	REV	QTY
1	FRONT WALL - BOLT ON	-----	-----	36041110	04	1
2	REAR WALL - BOLT ON	-----	-----	36041112	02	1
3	SIDE WALL - BOLT ON	-----	-----	36041114	03	2
4	CORNER CAP - BOLT ON	-----	-----	36041116	03	4
5	BOLT - SS BUTTON HEAD HD 1/4" x 5/8"	-----	-----	50071076	00	20
6	WASHER - FLAT STAINLESS 1/4"	-----	-----	50421105	00	20
7	NUT - SS NLYOCK 1/4"	-----	-----	50071020	00	20
8	TY-CROP LOGO	-----	-----	0000-6034	00	1
9	DECAL - QP300SH - RH	-----	-----	0001-6333	00	1
10	DECAL - QP300SH - LH	-----	-----	0001-6334	00	1
11	TY-425 ISO LOAD - QP 300	-----	-----	60033543	00	1

450 Yellow Hopper



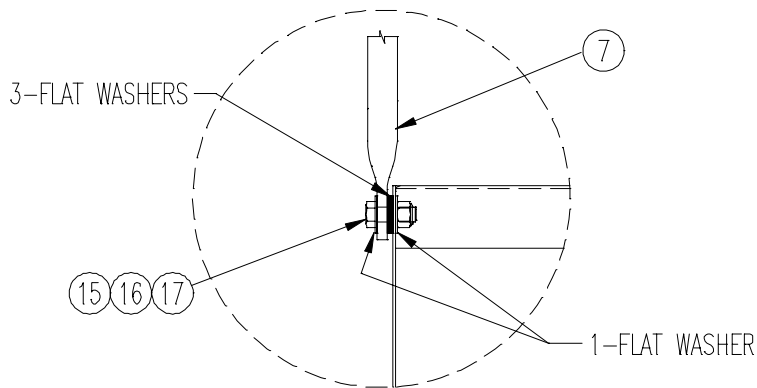
TOP VIEW



END VIEW

SIDE VIEW

ITEM 22 IS ALSO PLACED ON FAR SIDE IN SAME POSITION AS SHOWN



DETAIL - A

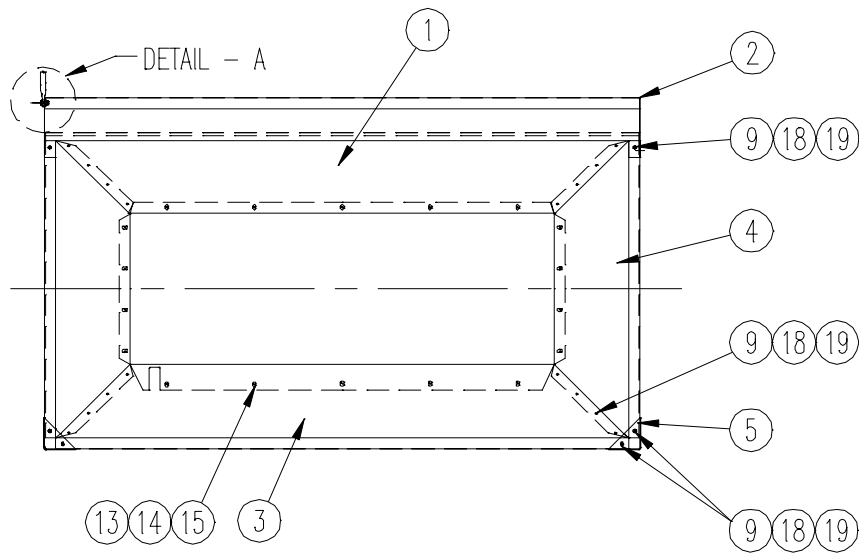
01-35817D



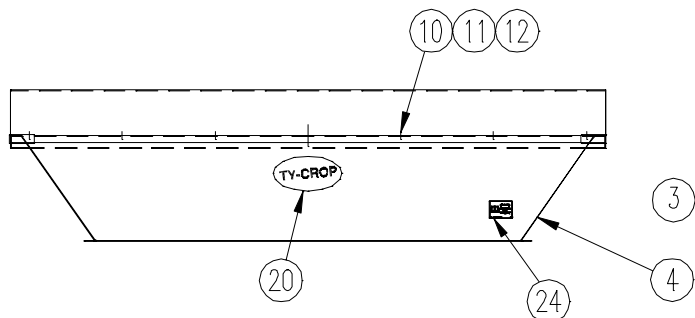
450 Yellow Hopper Parts Listing

ITEM	PART DESCRIPTION	SERIAL	TO SERIAL	PART NO.	REV	QTY
1	FRONT WALL - YELLOW	-----	32362	36041101	1	1
2	UPPER FRONT WALL - YELLOW	-----	32362	36041107	01	1
3	REAR WALL - YELLOW	-----	32362	36041103	03	1
4	SIDE WALL - YELLOW	-----	32362	36041105	07	2
5	CORNER CAPS - YELLOW	-----	32362	36041117	03	02
7	ARM - MIRROR	-----	32362	36011560	01	1
8	MIRROR - CONVEX ROUND	-----	32362	62011008	00	01
9	BOLT - SS PANHEAD PHILLIPS 1/4" x 3/4"	-----	32362	50071218	00	22
10	WASHER - GR8 FLAT 1/4"	-----	32362	50421029	00	18
11	NUT - GR8 NYLOCK 1/4"	-----	32362	50251000	00	9
12	BOLT - GR8 1/4" x 1"	-----	32362	50031004	00	9
13	BOLT - GR8 3/8" x 3/4"	-----	32362	50031068	00	10
14	WASHER - GR8 LOCKING 3/8"	-----	32362	50401044	00	10
15	WASHER - GR8 FLAT 3/8"	-----	32362	50421028	00	15
16	BOLT - GR8 3/8" x 1-1/4"	-----	32362	50031072	00	1
17	NUT - GR8 NYLOCK 3/8"	-----	32362	50251002	00	1
18	WASHER - SS FLAT 1/4"	-----	32362	50421105	00	22
19	NUT - SS NYLOCK 1/4"	-----	32362	50071020	00	22
20	TY-CROP LOGO	-----	32362	0000-6034	00	1
21	TY-313 QUICKPASS	-----	32362	60032010	00	2
22	TY-315 450	-----	32362	60032013	00	1
24	TY-424 ISO LOAD - QP 450	-----	32362	60033542	00	1
25	END CAP LONG LH QP450 - YELLOW	-----	32362	36041108	00	1
26	END CAP LONG RH QP450 - YELLOW	-----	32362	36041109	00	1

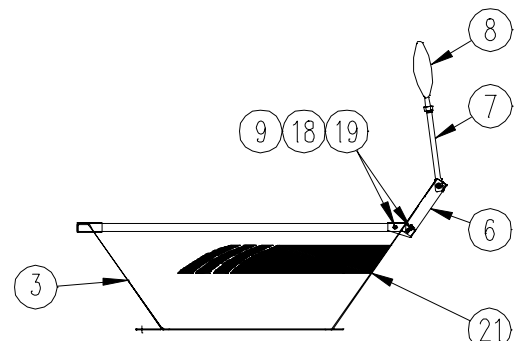
450 Red Hopper



TOP VIEW

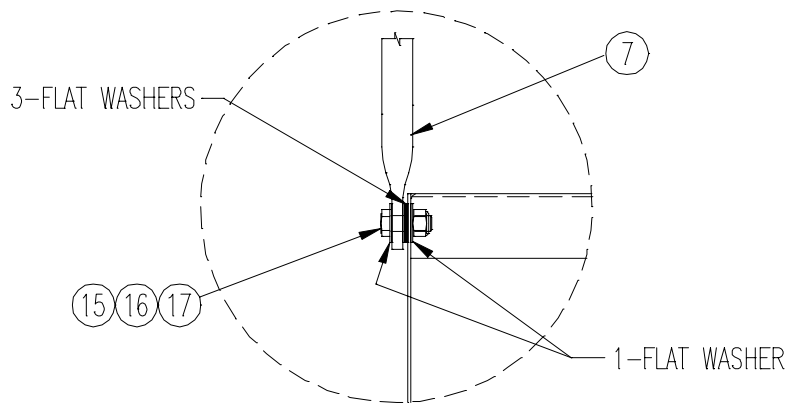


END VIEW



SIDE VIEW

ITEM 22 IS ALSO PLACED ON FAR SIDE IN SAME POSITION AS SHOWN



DETAIL - A

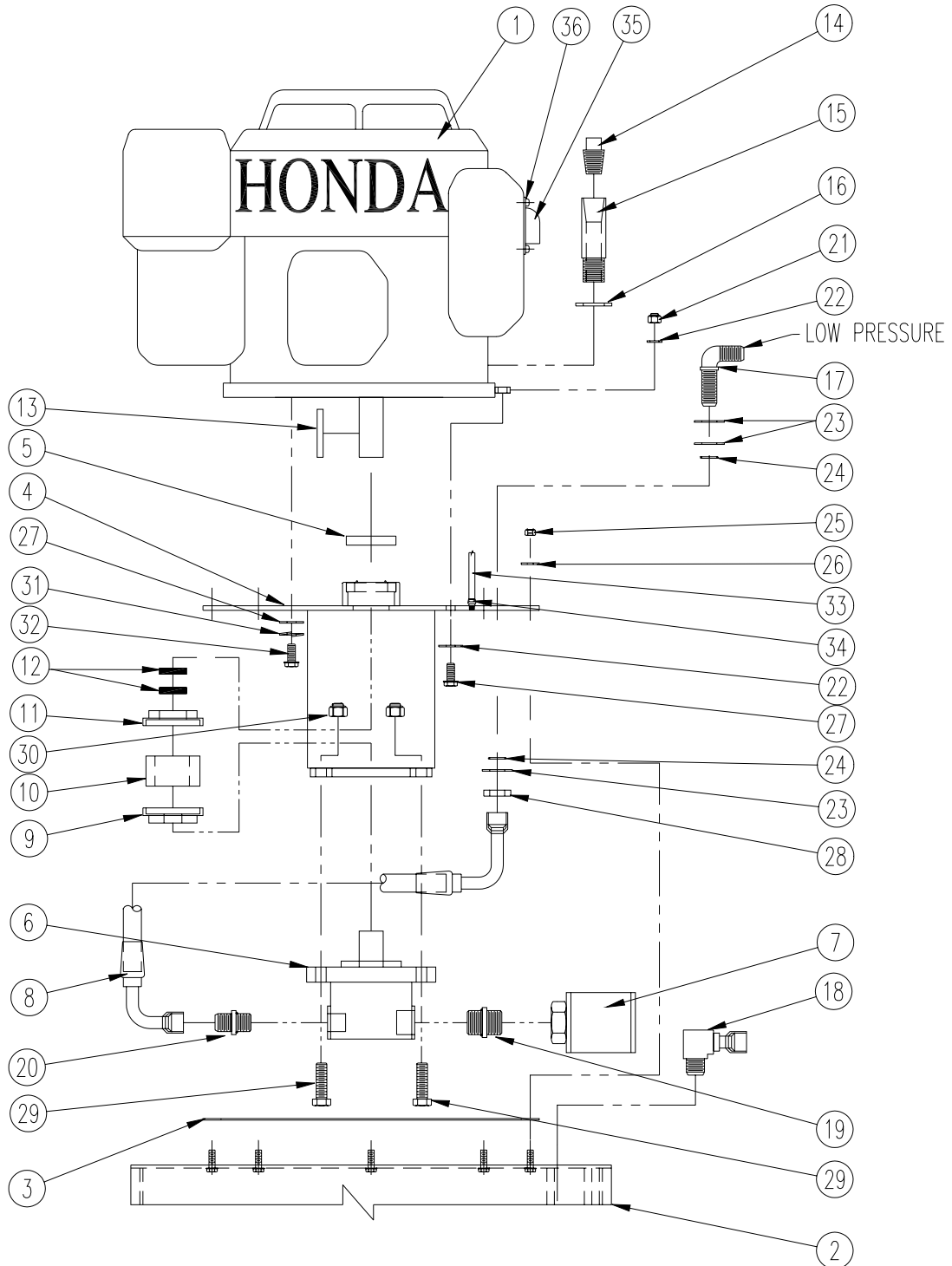
01-35817D



450 Red Hopper Parts Listing

ITEM	PART DESCRIPTION	SERIAL	TO SERIAL	PART NO.	REV	QTY
1	FRONT WALL - RED	32755	-----	0000-7953	1	1
2	UPPER FRONT WALL - RED	32755	-----	0000-7952	01	1
3	REAR WALL - RED	32755	-----	36041102	03	1
4	SIDE WALL - RED	32755	-----	36041104	07	2
5	CORNER CAPS - RED	32755	-----	36041116	03	02
7	ARM - MIRROR	32755	-----	36011560	01	1
8	MIRROR - CONVEX ROUND	32755	-----	62011008	00	01
9	BOLT - SS PANHEAD PHILLIPS 1/4" x 3/4"	32755	-----	50071218	00	22
10	WASHER - GR8 FLAT 1/4"	32755	-----	50421029	00	18
11	NUT - GR8 NYLOCK 1/4"	32755	-----	50251000	00	9
12	BOLT - GR8 1/4" x 1"	32755	-----	50031004	00	9
13	BOLT - GR8 3/8" x 3/4"	32755	-----	50031068	00	10
14	WASHER - GR8 LOCKING 3/8"	32755	-----	50401044	00	10
15	WASHER - GR8 FLAT 3/8"	32755	-----	50421028	00	15
16	BOLT - GR8 3/8" x 1-1/4"	32755	-----	50031072	00	1
17	NUT - GR8 NYLOCK 3/8"	32755	-----	50251002	00	1
18	WASHER - SS FLAT 1/4"	32755	-----	50421105	00	22
19	NUT - SS NYLOCK 1/4"	32755	-----	50071020	00	22
20	TY-CROP LOGO	32755	-----	0000-6034	00	1
21	DECAL QP450SH - RH	32755	-----	0001-6335	00	1
22	DECAL QP450SH - LH	32755	-----	0001-6336	00	1
24	TY-424 ISO LOAD - QP 450	32755	-----	60033542	00	1
25	END CAP LONG LH QP450 - RED	32755	-----	0000-7951	00	1
26	END CAP LONG RH QP450 - RED	32755	-----	0000-7950	00	1

Honda Engine Option

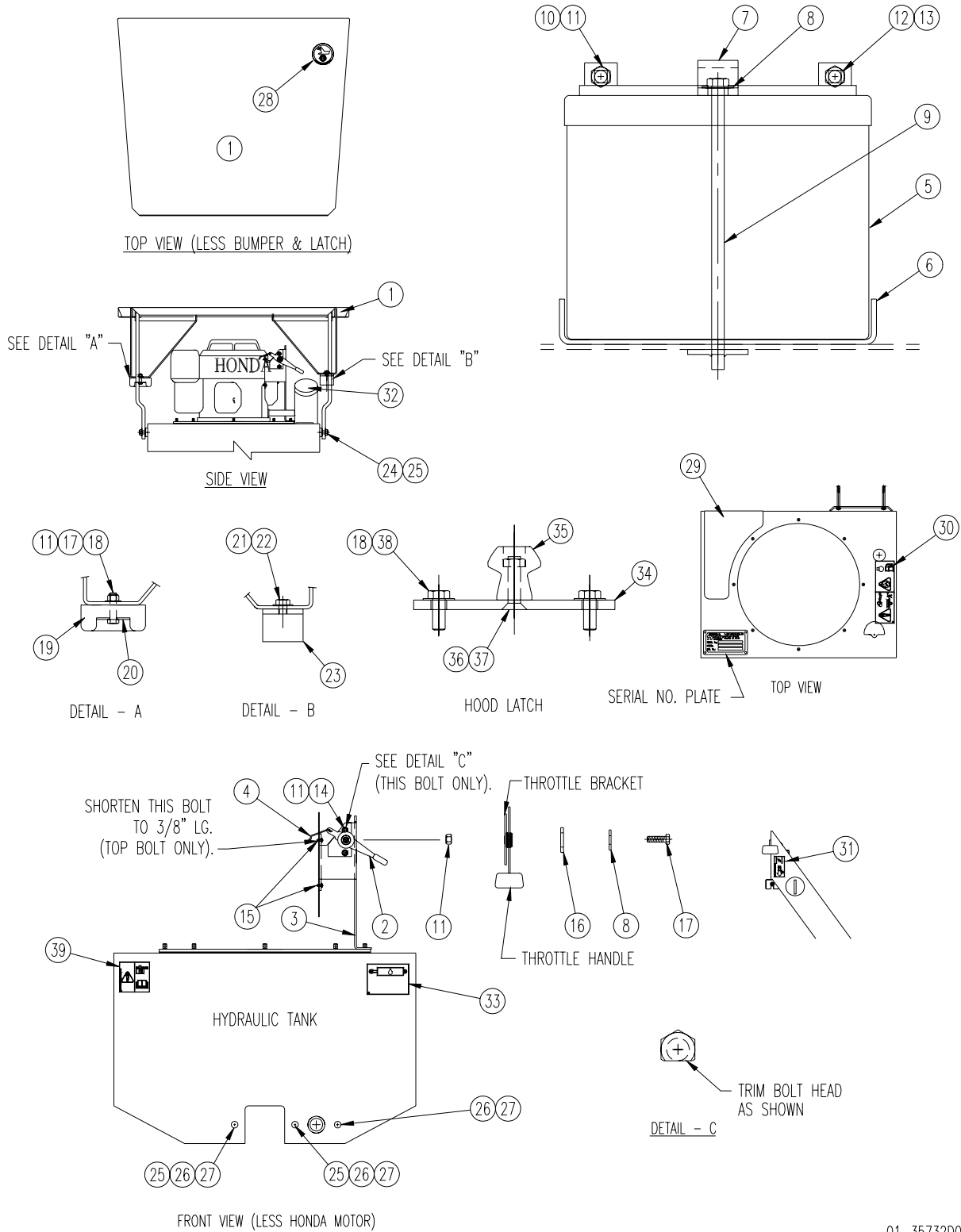


01-35735D01



Honda Engine Option Parts Listing

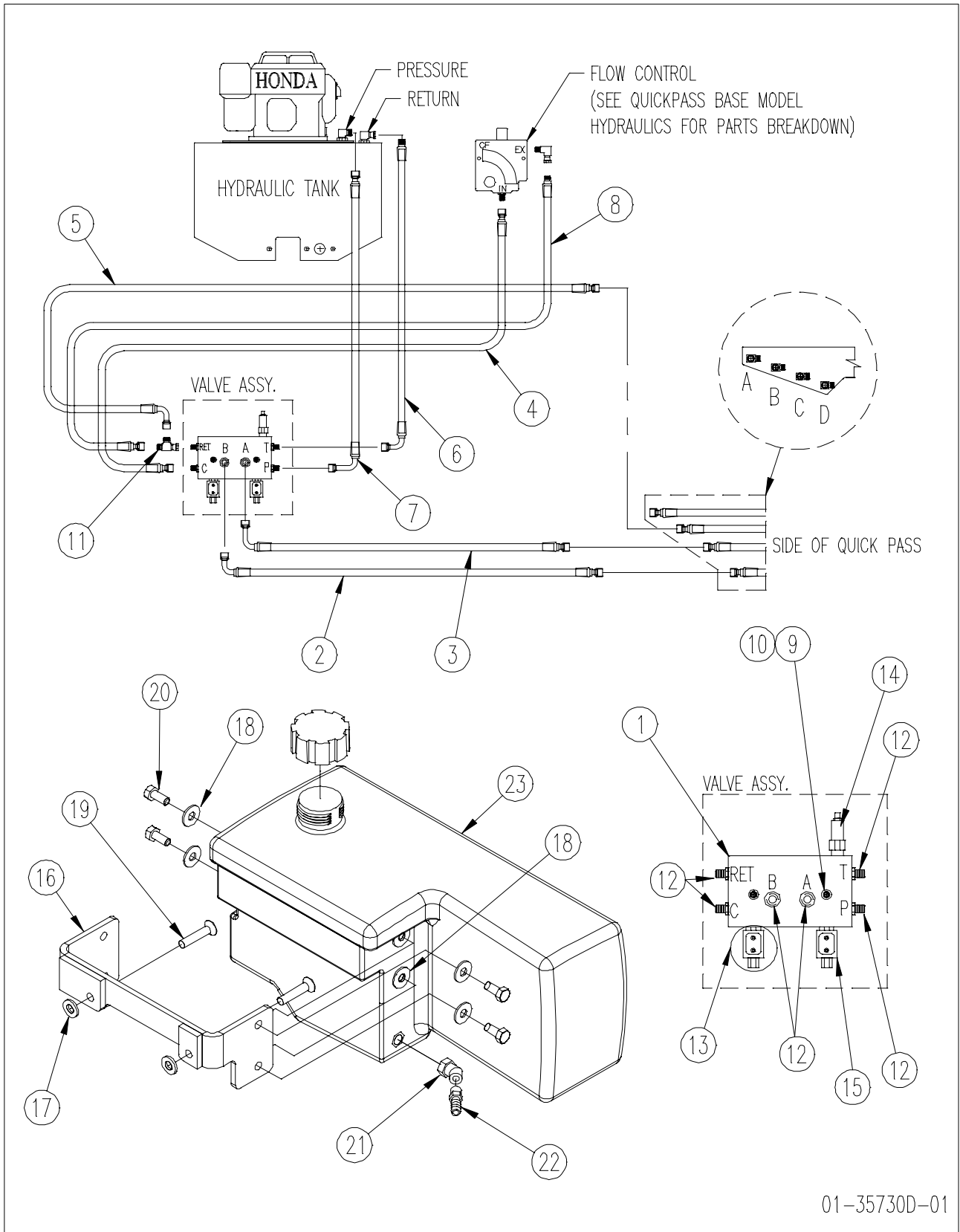
ITEM	PART DESCRIPTION	SERIAL	TO SERIAL	PART NO.	REV	QTY
1	HONDA 11HP ENGINE	15951	21115	62023020	00	1
2	HYDRAULIC TANK	15951	21115	36044210	00	1
3	GASKET - MOTOR MOUNT	15951	21115	36034260	01	1
4	PLATE - MOTOR MOUNT	15951	21115	36034240	00	1
5	SEAL	15951	21115	55132008	00	1
6	HYD PUMP	15951	21115	56031070	00	1
7	STRAINER - HYD TANK	15951	21115	56114040	00	1
8	HOSE - HYD PRESSURE	15951	21115	36034140	02	1
9	COUPLING L099-5/8x5/32x5/64KEY	15951	21115	59013000	00	1
10	COUPLING INSERT L099-100H	15951	21115	59013020	00	1
11	COUPLING LOVEJOY L099 - 1"	15951	21115	59013010	00	1
12	COLLAR - SET SCREW 1"	15951	21115	60112675	00	2
13	KEY	15951	21115	36044260	00	1
14	PLUG	15951	21115	59011100	00	1
15	EXTENTION - OIL DRAIN	15951	21115	36034281	00	1
16	WASHER - OIL DRAIN	15951	21115	62023044	00	1
17	FITTING JIC BULKHEAD 1/2" 90 DEG	15951	21115	56092020	00	1
18	SWV 90 1/2MPT - 1/2FPT	15951	21115	56091052	00	1
19	STR ADPT 3/4MPT - 3/4MORG	15951	21115	56091217	00	1
20	CONN 1/2JIC - 5/8 O-RING	15951	21115	56091379	00	1
21	NUT - NYLOCK 5/16"	15951	21115	50261004	00	2
22	WASHER - FLAT 5/16"	15951	21115	50421004	00	10
23	WASHER - BUSHING MACH 3/4"	15951	21115	50601004	00	3
24	O-RING	15951	21115	56092021	00	2
25	NUT - NYLOCK 1/4"	15951	21115	50241008	00	8
26	WASHER - RUBBER GASKETED 1/4"	15951	21115	50421850	00	8
27	BOLT - GR5 5/16" x 1-1/2"	15951	21115	50021274	00	2
28	NUT - FOR JIC BULKHEAD 1/2" FTG	15951	21115	56092022	00	1
29	BOLT - GR5 7/16" x 1-3/4"	15951	21115	50011118	00	2
30	NUT - NYLOCK 7/16"	15951	21115	50241014	00	2
31	WASHER - LOCKING 5/16"	15951	21115	50401012	00	2
32	BOLT - GR5 5/16" x 1"	15951	21115	50021272	00	2
33	SYN-BRK TBE NYL AIR 1/4 BLK X 7"	15951	21115	57011526	00	1
34	CONN 1/4TBE - 1/8MPT	15951	21115	57011058	00	1
35	MUFFLER CAP - HONDA	15951	21115	62022996	00	1
36	SCREW - HONDA MUFFLER CAP	15951	21115	51161041	00	3



01-35732D02



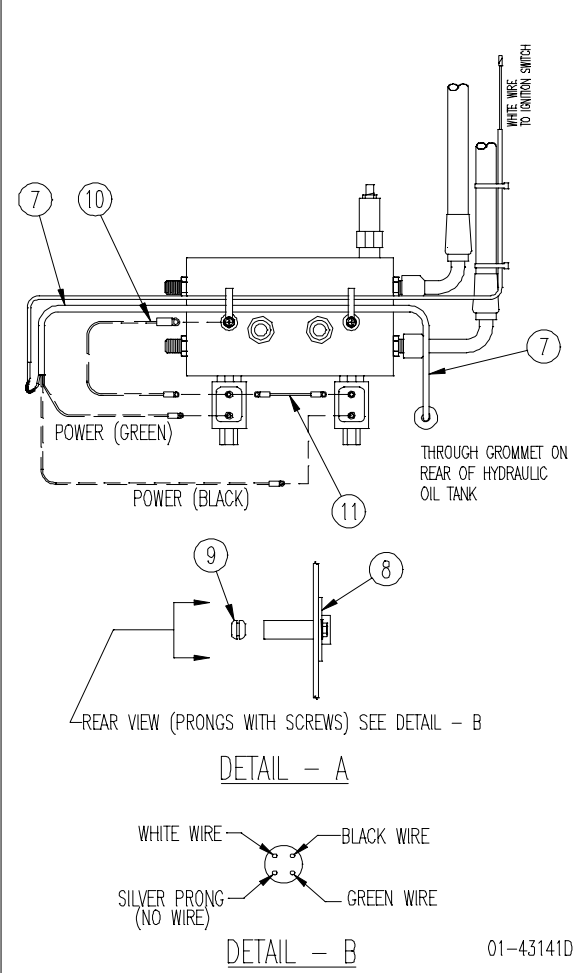
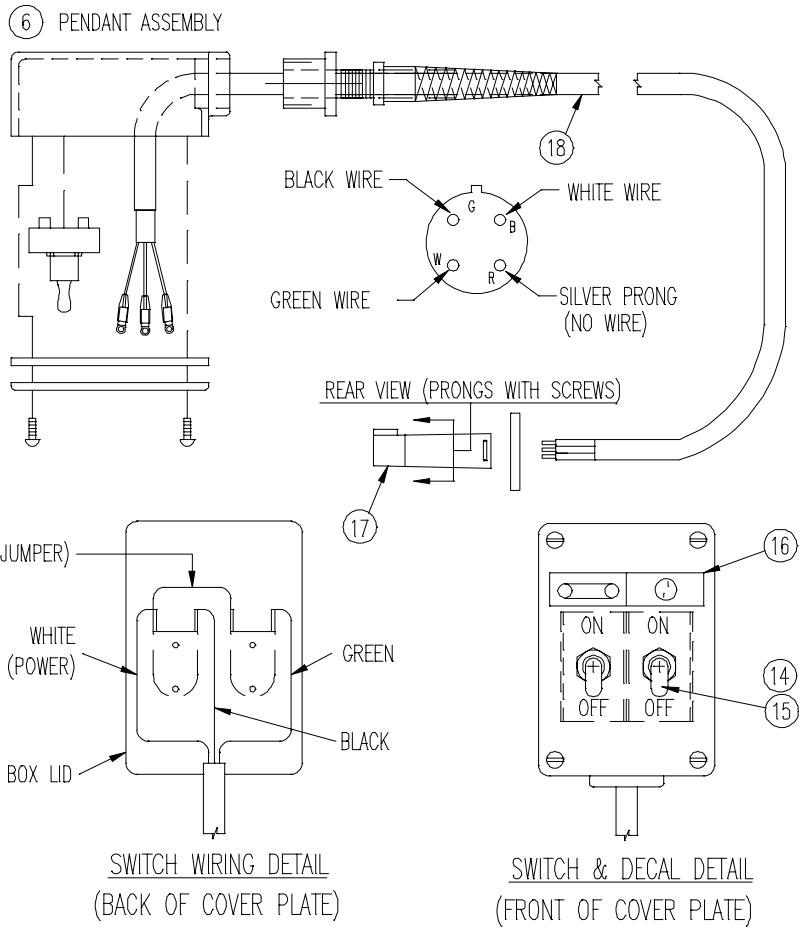
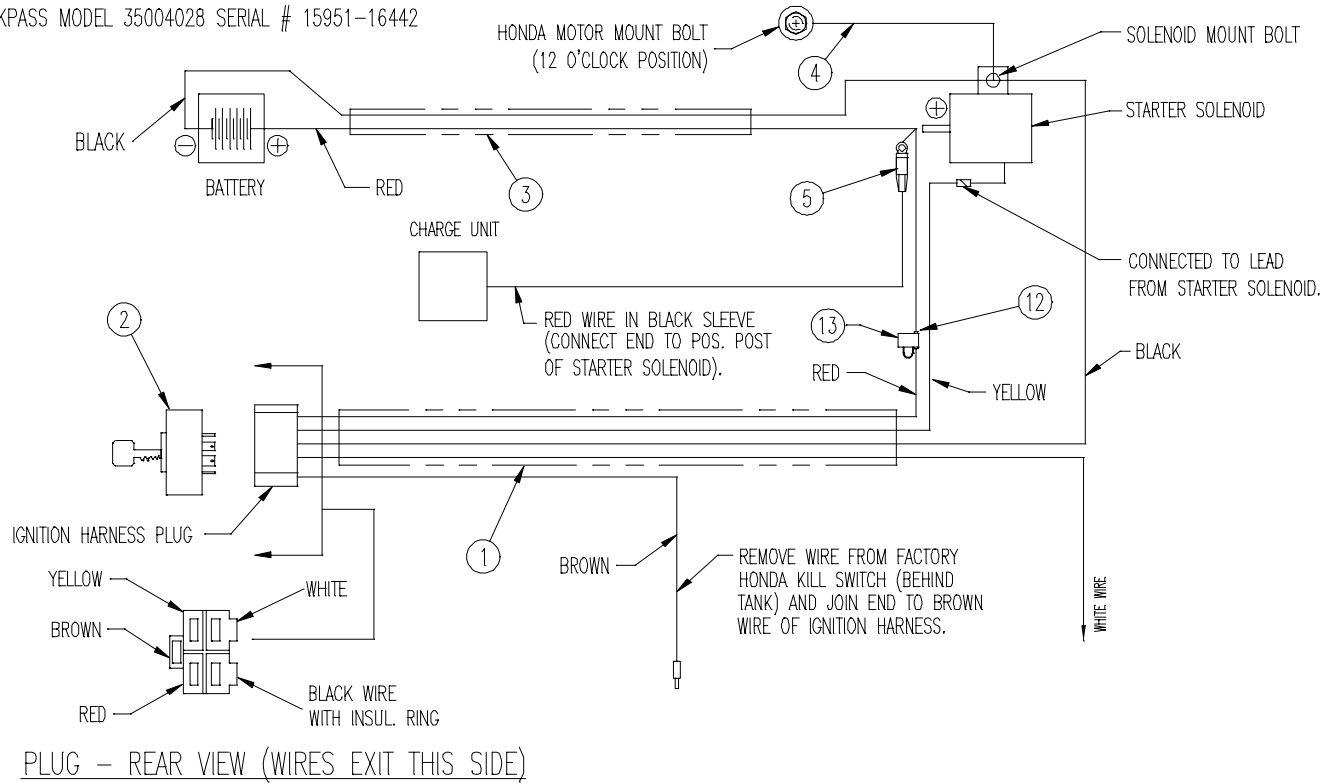
ITEM	PART DESCRIPTION	SERIAL	TO SERIAL	PART NO.	REV	QTY
1	ENGINE HOOD	15951	21115	36044010	00	1
2	THROTTLE ASSEMBLY	15951	21115	36044024	00	1
3	BRACKET - THROTTLE/SWITCH	15951	21115	36044022	02	1
4	LINKAGE - THROTTLE	15951	21115	36044026	00	1
5	BATTERY - SP30	15951	21115	58054003	00	1
6	BOX - BATTERY	15951	21115	36034100	03	1
7	HOLD DOWN - BATTERY	15951	21115	36044100	00	1
8	WASHER - FLAT 5/16"	15951	21115	50421004	00	2
9	BOLT - GR5 5/16" x 7"	15951	21115	50011067	00	2
10	BOLT - CARRIAGE 1/4" x 3/4"	15951	21115	50091002	00	1
11	NUT - NYLOCK 1/4"	15951	21115	50241008	00	3
12	BOLT - CARRIAGE 5/16" x 3/4"	15951	21115	50091040	00	1
13	NUT - NYLOCK 5/16"	15951	21115	50241010	00	1
14	BOLT - GR5 1/4" x 3/4"	15951	21115	50011004	00	2
15	BOLT - GR5 5 MM x 16MM	15951	21115	51132000	00	2
16	WASHER - FLAT 16MM	15951	21115	51131069	00	1
17	BOLT - GR5 1/4" x 1"	15951	21115	50011006	00	2
18	WASHER - FLAT 1/4"	15951	21115	50421002	00	5
19	DOOR BUMPER RUBBER 2-1/2" ROUND	15951	21115	62011020	00	1
20	WASHER - FENDER 1/4" x 1-1/4" OD	15951	21115	50421080	00	1
21	BOLT - HEX 6MM x 10MM FULL THREAD	15951	21115	51133100	00	1
22	WASHER - FLAT 6MM	15951	21115	51131060	00	1
23	DOOR LATCH - FEMALE	15951	21115	62011121	00	1
24	BOLT - GR5 3/8" x 1-1/4"	15951	21115	50011078	00	2
25	WASHER - FLAT 3/8"	15951	21115	50421006	00	8
26	NUT - NYLOCK 3/8"	15951	21115	50241012	00	5
27	BOLT - GR5 3/8" x 1"	15951	21115	50011076	00	5
28	TY-432 ISO MANUAL LIFT	15951	21115	60033548	00	1
29	TY-270 EXHAUST	15951	21115	60031704	00	1
30	TY-431 ISO ENGINE SAFETY	15951	21115	60033547	00	1
31	TY-428 ISO CHOKE	15951	21115	60033546	00	1
32	TY-281 1" DIA RED ROUND	15951	21115	60031013	00	1
33	TY-429 ISO HYD OIL - QP	15951	21115	60033550	00	1
34	HOOD LATCH ASSEMBLY - INC 18,35,36,37, 38	15951	21115	36044020	00	1
35	DOOR LATCH - MALE	15951	21115	62011123	00	1
36	BOLT - FL HD CS M6 - 1.0 x 35MM	15951	21115	51133155	00	1
37	NUT - NYLOCK NC 6MM	15951	21115	51131130	00	1
38	BOLT - GR5 PLTD 1/4" x 5/8"	15951	21115	50011002	00	4
39	TY-433 ISO FUEL SAFETY	15951	21115	60033549	00	1
*	FILLER CAP/DIPSTICK ASSY	15951	21115	36044230	00	1





ITEM	PART DESCRIPTION	SERIAL	TO SERIAL	PART NO.	REV	QTY
1	HYDRAFORCE MANIFOLD - COMPLETE	15951	21115	62023094	00	1
2	1/2" HOSE ASSEMBLY	15951	21115	36043050	00	1
3	1/2" HOSE ASSEMBLY	15951	21115	36043040	01	1
4	1/2" HOSE ASSEMBLY	15951	21115	36044150	00	1
5	1/2" HOSE ASSEMBLY	15951	21115	36044160	00	1
6	1/2" HOSE ASSEMBLY	15951	21115	36044170	01	1
7	1/2" HOSE ASSEMBLY	15951	21115	36044180	01	1
8	1/2" HOSE ASSEMBLY	15951	21115	36044190	00	1
9	NUT - NYLOCK 1/4"	15951	21115	50241008	00	2
10	WASHER - FLAT 1/2"	15951	21115	50421002	00	2
11	TEE 1/2JIC - 1/2MJIC - 1/2MJIC	15951	21115	56091338	00	1
12	CONN 1/2JIC - 1/2 O-RING	15951	21115	56091377	00	6
13	HYDR. VALVE SOLENOID W/COIL	15951	21115	56054026	00	2
14	HYDR. VALVE RELIEF	15951	21115	56054029	00	1
15	COIL	15951	21115	56054040	00	2
16	BRACKET - FUEL TANK	15951	21115	36044310	00	1
17	WASHER - FLAT 8mm PLATED	15951	21115	51131062	00	2
18	WASHER - FLAT 5/16"	15951	21115	50421026	00	8
19	BOLT - FLAT HEAD M8 1.25 x 40	15951	21115	51151118	00	2
20	BOLT - 5/16" x 3/4"	15951	21115	50031036	00	4
21	BRASS FITTING - 45 DEG. 1/8 MPT	15951	21115	56092017	00	1
22	BARB FITTING - 5/16ID x 1/8 NPT	15951	21115	56092015	00	1
23	FUEL TANK - 9L	15951	21115	62022990	00	1

QUICKPASS MODEL 35004028 SERIAL # 15951-16442

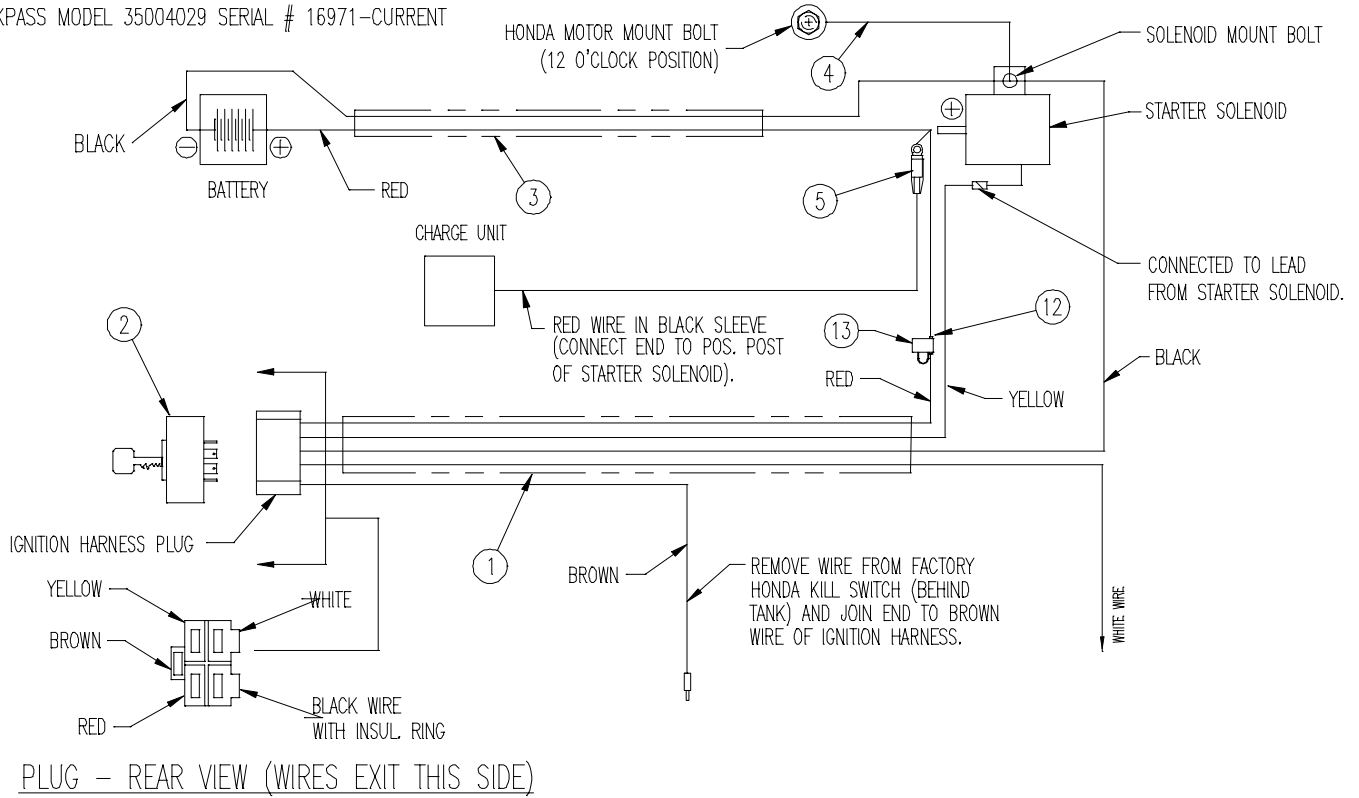


01-43141D

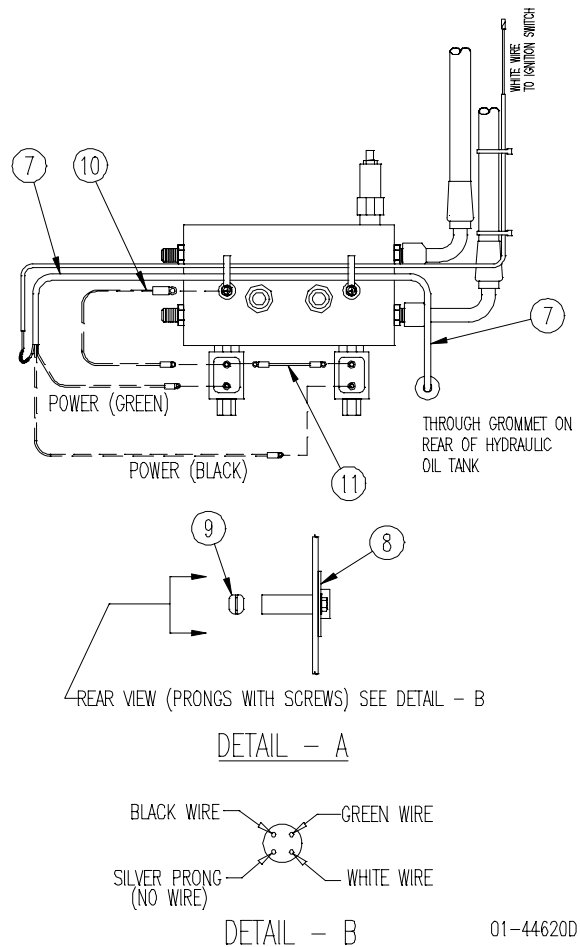
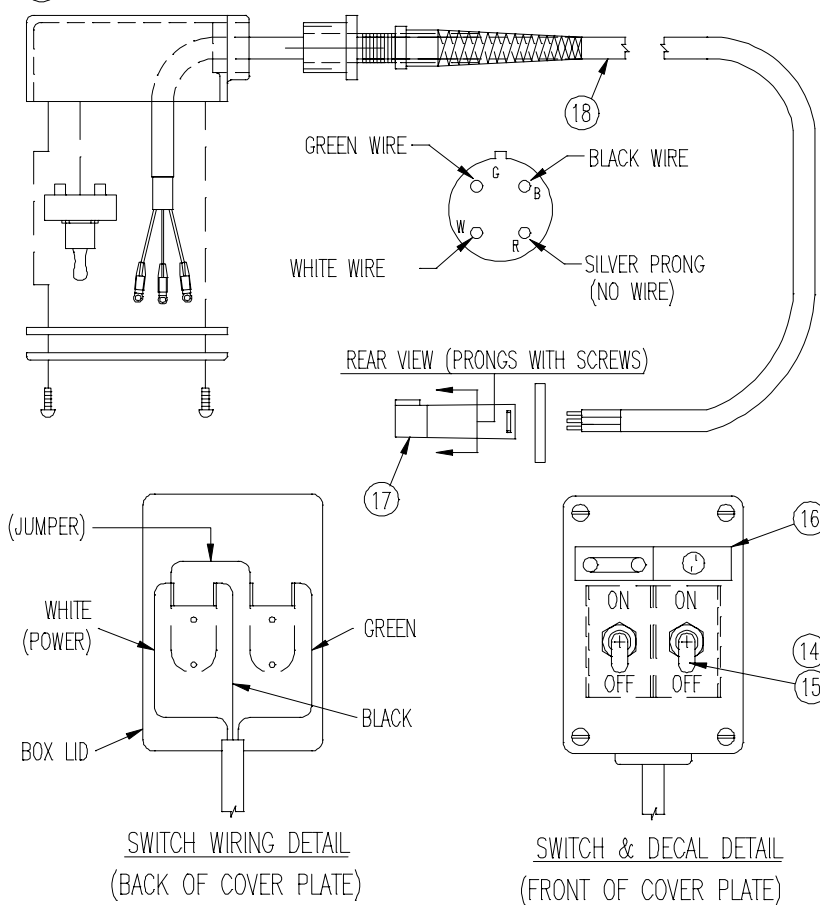


ITEM	PART DESCRIPTION	SERIAL	TO SERIAL	PART NO.	REV	QTY
1	IGNITION HARNESS	15951	16442	36044070	00	1
2	IGNITION SWITCH	15951	16442	58071526	00	1
3	BATTERY HARNESS	15951	16442	36044060	00	1
4	CHASSIS GROUND	15951	16442	36044050	00	1
5	RING - 1/4" STUD 18G	15951	16442	58031010	00	1
6	PENDANT ASSEMBLY (2 SWITCH DESIGN)	15951	16442	36044094	00	1
7	PENDANT CORD	15951	16442	36044131	00	1
8	SOCKET - TURF 4 WAY	15951	16442	36014134	00	1
9	GROMMET - RUBBER	15951	16442	58075054	00	1
10	WIRE CONNECTOR	15951	16442	36044118	00	1
11	WIRE CONNECTOR	15951	16442	36044119	00	1
12	FUSE - 15 AMP	15951	16442	58037330	00	1
13	FUSE HOLDER IN-LINE 12 GA	15951	16442	58037320	00	1
14	SWITCH - TOGGLE COLE HERSE	15951	16442	58071534	00	2
15	RUBBER BOOT	15951	16442	58071546	00	2
16	TY-417 ISO PENDANT CONTROL	15951	16442	60033521	00	1
17	PLUG - TURF 4 WAY	15951	16442	58071127	00	1
18	CORD - PENDANT	15951	16442	36044120	01	1

QUICKPASS MODEL 35004029 SERIAL # 16971-CURRENT



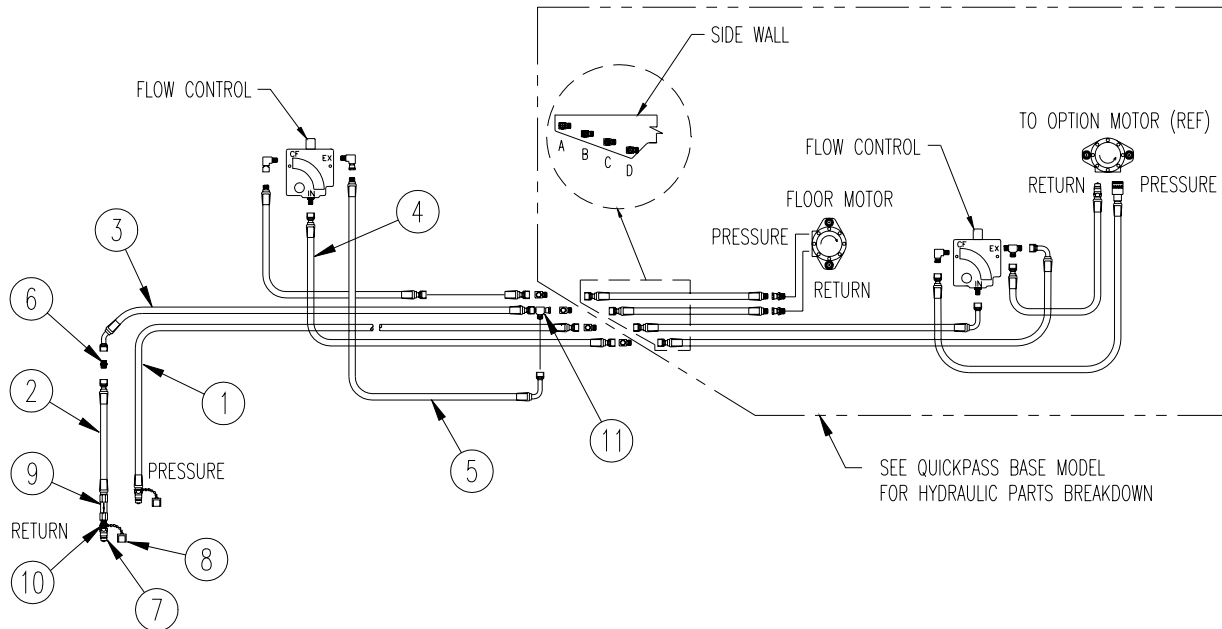
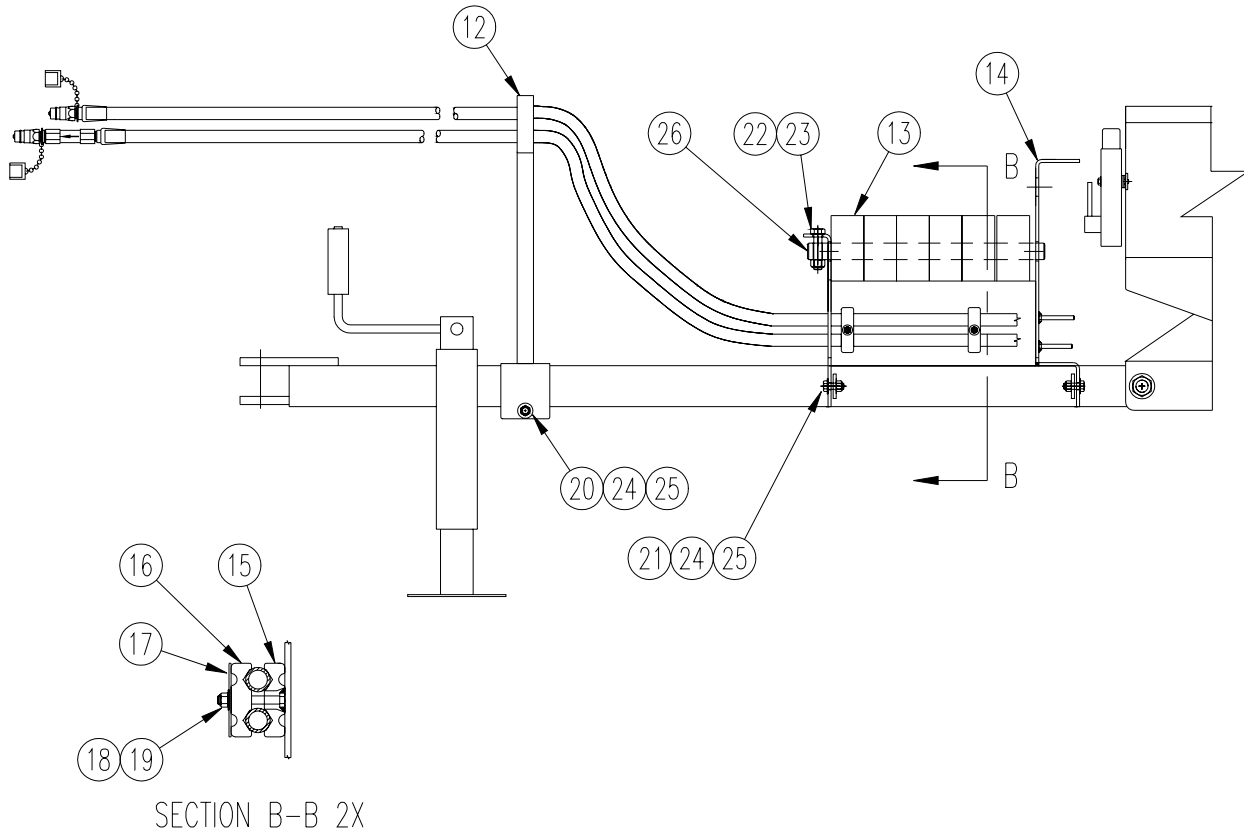
⑥ PENDANT ASSEMBLY





ITEM	PART DESCRIPTION	SERIAL	TO SERIAL	PART NO.	REV	QTY
1	IGNITION HARNESS	16971	21115	36044070	00	1
2	IGNITION SWITCH	16971	21115	58071526	00	1
3	BATTERY HARNESS	16971	21115	36044060	00	1
4	CHASSIS GROUND	16971	21115	36044050	00	1
5	RING - 1/4" STUD 18G	16971	21115	58031010	00	1
6	PENDANT ASSEMBLY (2 SWITCH DESIGN)	16971	21115	36054090	00	1
7	PENDANT CORD	16971	21115	0000-6097	00	1
8	SOCKET - TURF 4 WAY	16971	21115	36014134	00	1
9	GROMMET - RUBBER	16971	21115	58075054	00	1
10	WIRE CONNECTOR	16971	21115	36044118	00	1
11	WIRE CONNECTOR	16971	21115	36044119	00	1
12	FUSE - 15 AMP	16971	21115	58037330	00	1
13	FUSE HOLDER IN-LINE 12 GA	16971	21115	58037320	00	1
14	SWITCH - TOGGLE COLE HERSE	16971	21115	58071534	00	2
15	RUBBER BOOT	16971	21115	58071546	00	2
16	TY-417 ISO PENDANT CONTROL	16971	21115	60033521	00	1
17	PLUG - TURF 4 WAY	16971	21115	58071127	00	1
18	CORD - PENDANT	16971	21115	36044120	01	1

Tow Vehicle Hydraulic Option



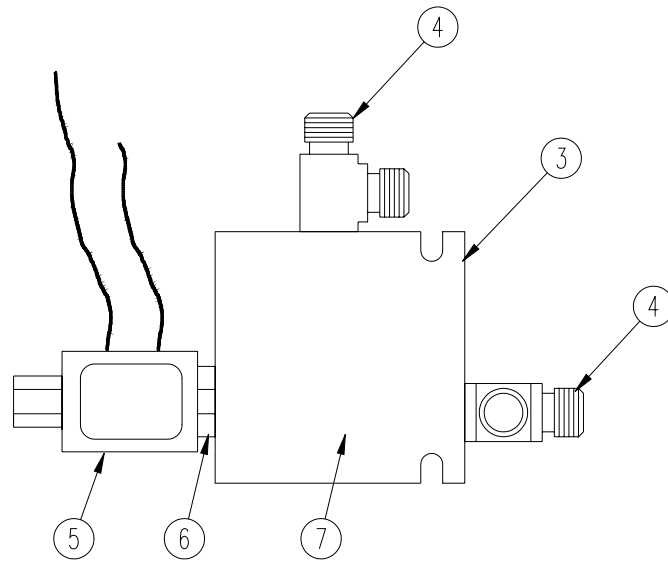
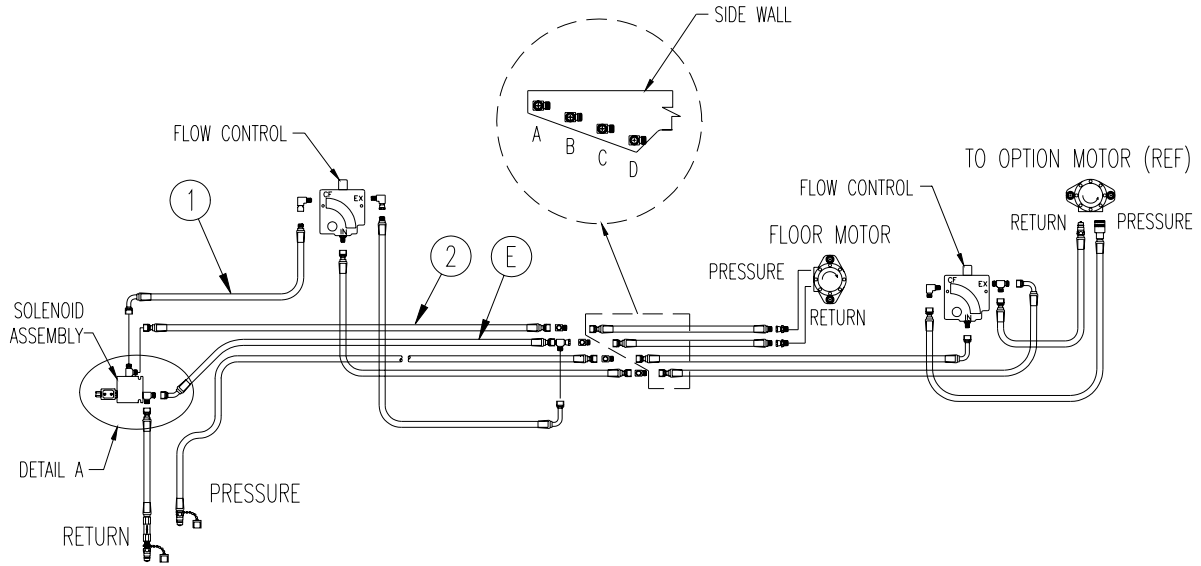
01-35739D



Tow Vehicle Hydraulic Option Parts Listing

ITEM	PART DESCRIPTION	SERIAL	TO SERIAL	PART NO.	REV	QTY
1	1/2" HOSE ASSEMBLY	-----	21115	36043042	00	1
2	1/2" HOSE ASSEMBLY	-----	21115	36043034	00	1
3	1/2" HOSE ASSEMBLY	-----	21115	36043032	00	1
4	1/2" HOSE ASSEMBLY	-----	21115	36043072	00	1
5	1/2" HOSE ASSEMBLY	-----	21115	36043062	00	1
6	CONN 1/2JIC - 1/2JIC	-----	21115	56091152	00	1
7	QUICK COUPLER - MALE 1/2"	-----	21115	56151014	00	2
8	CAP	-----	21115	56152152	00	2
9	CHECK VALVE 0 HYDR.	-----	21115	56051012	00	1
10	CONN NIPPLE 1/2MPT - 1/2MPT	-----	21115	56091114	00	1
11	TEE 1/2FJIC - 1/2MJIC - 1/2MJIC	-----	21115	56091338	00	1
12	POGO STICK	-----	21115	36042100	00	1
13	WEIGHT - COUNTERWEIGHT BOX	-----	21115	36035520	00	6
14	COUNTERWEIGHT BOX	-----	21115	36045500	00	1
15	CLAMP - HOSE MODIFIED	-----	21115	36043020	00	2
16	CLAMP - HOSE	-----	21115	56171012	00	2
17	PLATE - HOSE CLAMP	-----	21115	36033040	00	2
18	NUT - NYLOCK 1/4"	-----	21115	50241008	00	2
19	WASHER - FLAT 1/4"	-----	21115	50421002	00	2
20	BOLT - GR5 3/8" - 3-1/2"	-----	21115	50011096	00	1
21	BOLT - GR5 3/8" x 1"	-----	21115	50011076	00	4
22	BOLT - GR5 1/2" x 2"	-----	21115	50011150	00	1
23	NUT - NYLOCK 1/2"	-----	21115	50241016	00	1
24	NUT - NYLOCK 3/8"	-----	21115	50241012	00	5
25	WASHER - FLAT 3/8"	-----	21115	50421006	00	5
26	SHAFT - COUNTERWEIGHT BOX	-----	21115	36045510	00	1

Two-Way Switch Option for Tow Vehicle Hydraulics



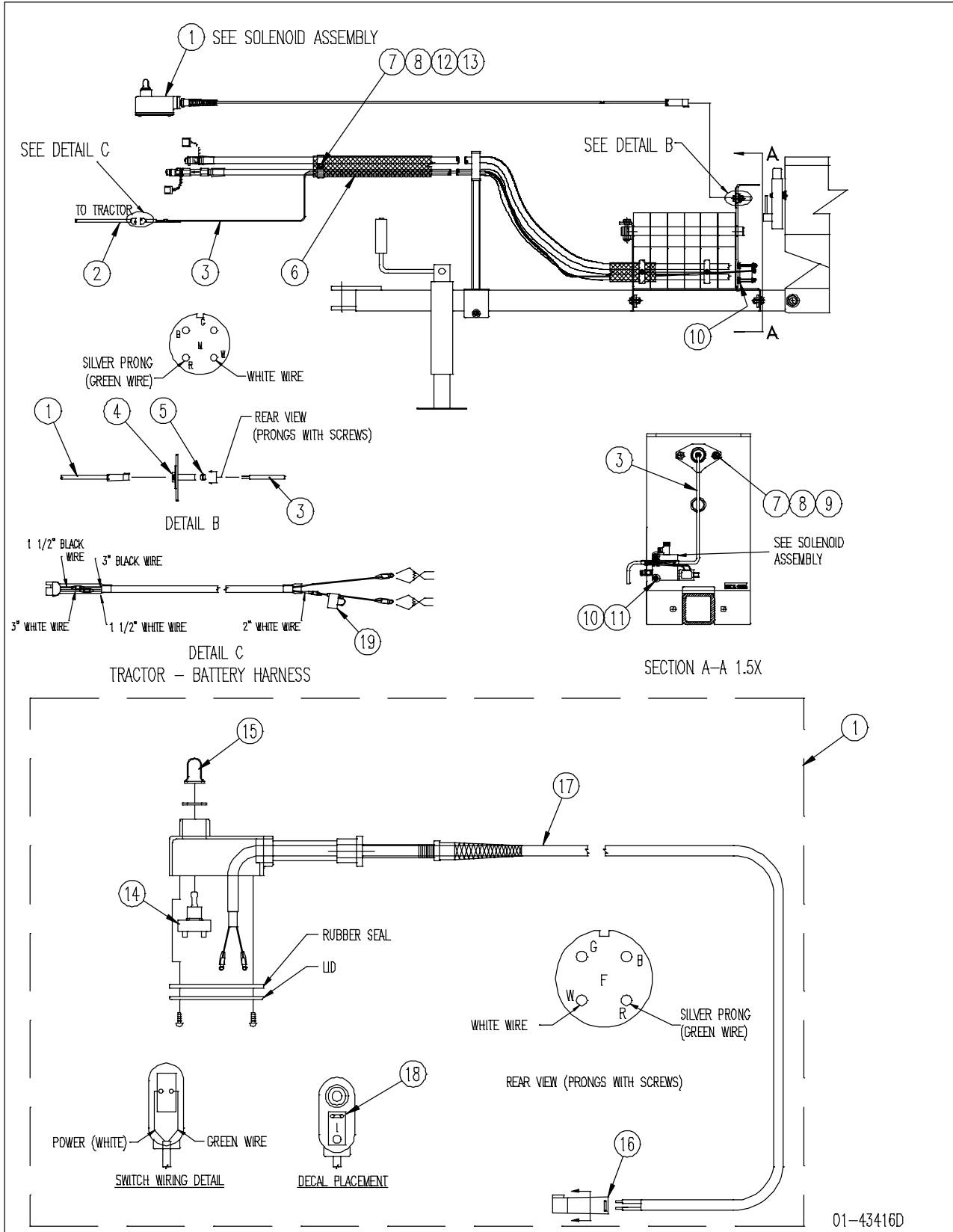
DETAIL A

01-35740D01



Two-Way Switch Option for Tow Vehicle Hydraulics Parts Listing

ITEM	PART DESCRIPTION	SERIAL	TO SERIAL	PART NO.	REV	QTY
1	1/2" HOSE ASSEMBLY	-----	21115	36043094	00	1
2	1/2" HOSE ASSEMBLY	-----	21115	36043102	00	1
3	HYDR. VALVE COMPLETE	-----	21115	56051024	00	1
4	TEE - 1/2MJIC - CTR1/2MJIC - 1/2MORG	-----	21115	56091353	00	2
5	COIL	-----	21115	56054044	00	1
6	SOLENOID W/O COIL	-----	21115	56054036	00	1
7	BODY	-----	21115	56054034	00	1

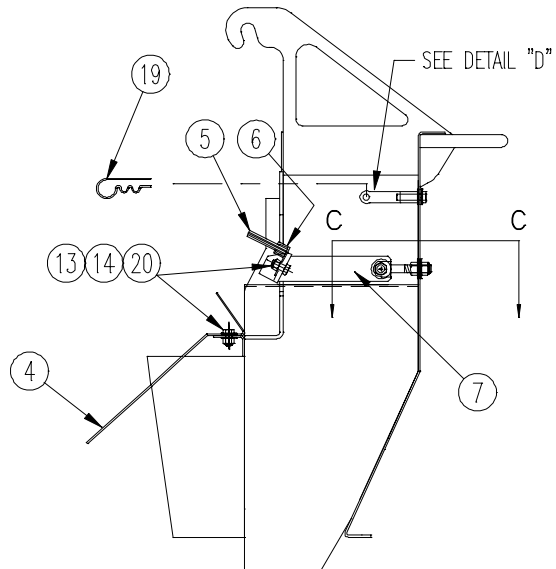
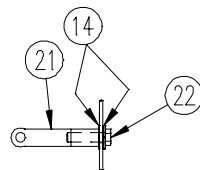
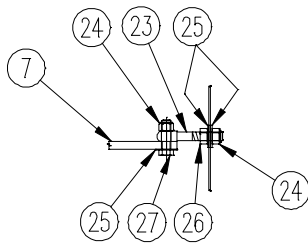
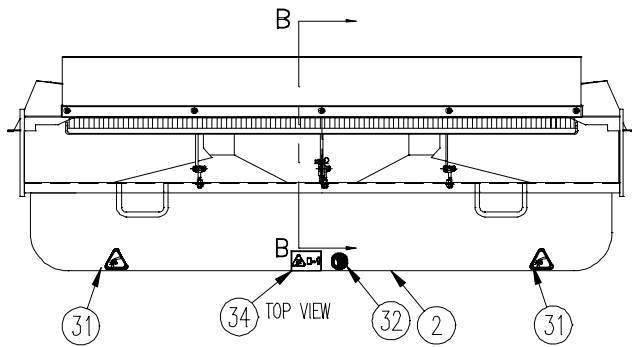
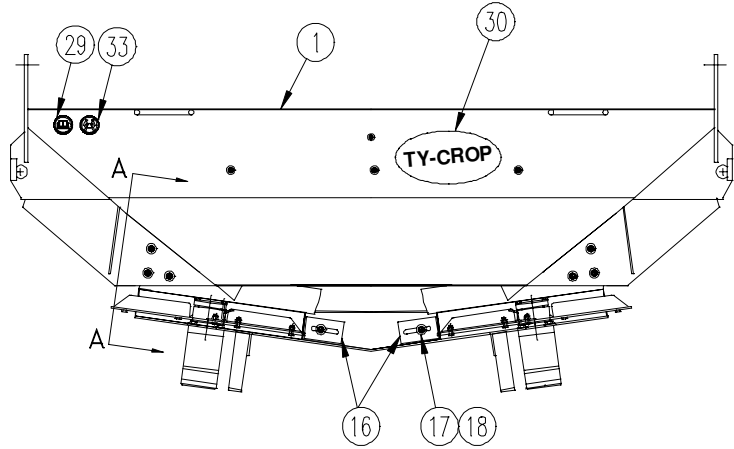
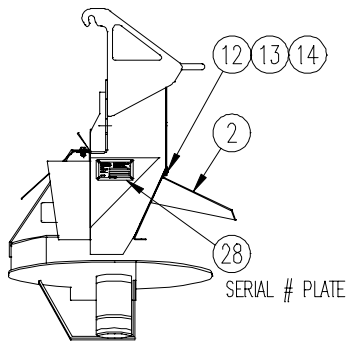
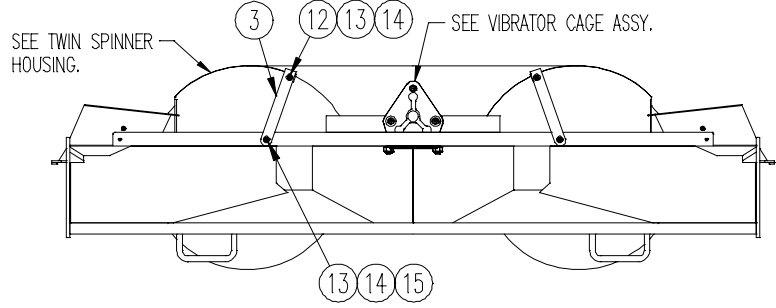
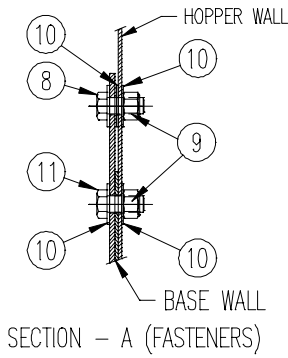




Electrical Details for Two-Way Switch Option with Tow Vehicle Hydraulics

ITEM	PART DESCRIPTION	SERIAL	TO SERIAL	PART NO.	REV	QTY
1	PENDANT ASSEMBLY	-----	21115	36014090	00	1
2	TRACTOR - BATTERY HARNESS	-----	21115	36044040	00	1
3	REAR PENDANT HARNESS ASSEMBLY	-----	21115	36044140	00	1
4	SOCKET - 4 WAY	-----	21115	36014134	00	1
5	GROMMET - RUBBER	-----	21115	58075054	00	1
6	HOSE SHEATH 5FT - 2IN	-----	21115	57011624	00	1
7	NUT - NYLOCK 3/8"	-----	21115	50241012	00	3
8	WASHER - FLAT 3/8"	-----	21115	50421006	00	4
9	BOLT - GR5 3/8" x 1"	-----	21115	50011076	00	2
10	WASHER - FLAT 1/4"	-----	21115	50421002	00	4
11	NUT - NYLOCK 1/4"	-----	21115	50241008	00	2
12	CLAMP - HOSE	-----	21115	56171012	00	2
13	BOLT - GR5 3/8" x 2-3/4"	-----	21115	50011090	00	1
14	SWITCH - TOGGLE	-----	21115	58071534	00	1
15	BOOT - RUBBER SWITCH	-----	21115	58071546	00	1
16	PLUG TURF - 4 WAY	-----	21115	58071127	00	1
17	CORD - PENDANT	-----	21115	36044110	01	1
18	TY-427 ISO FLOOR CONTROL	-----	21115	60033545	00	1
19	FUSE - 15 AMP	-----	21115	58037330	00	1

Twin Spinner Option

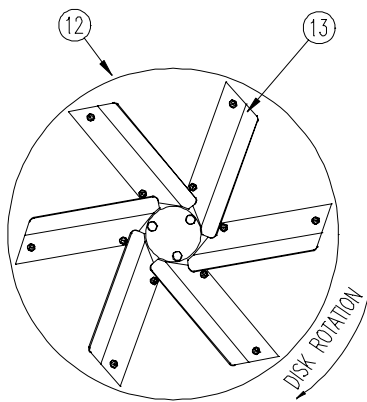
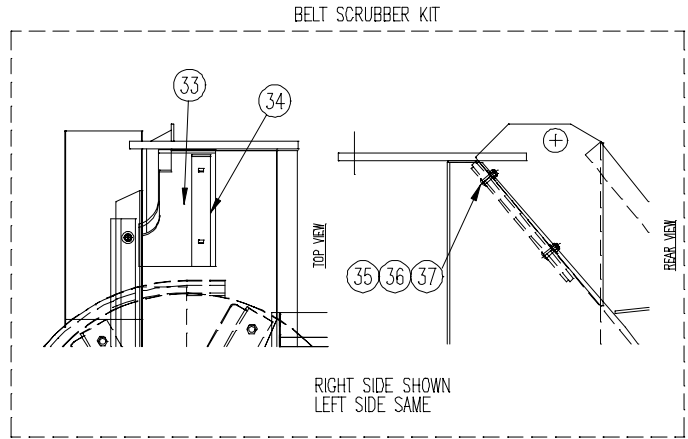
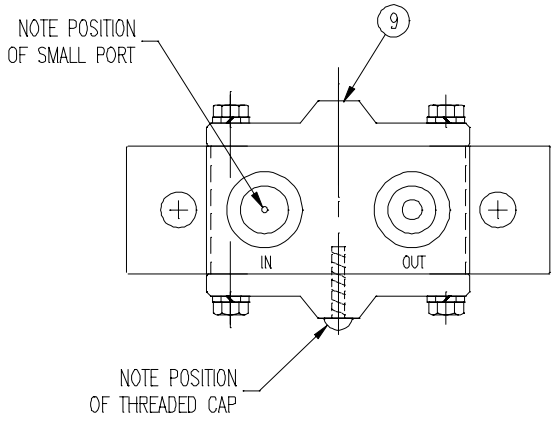
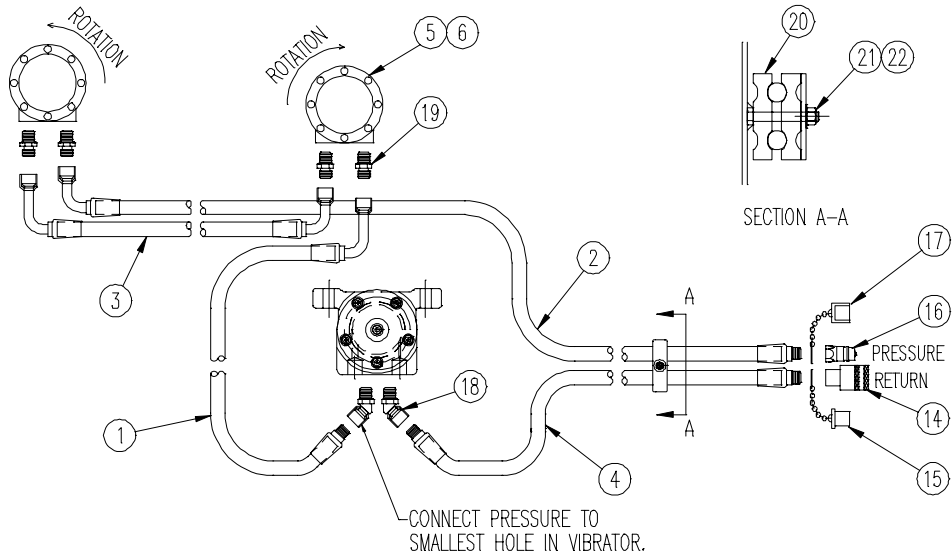


01-35742D02

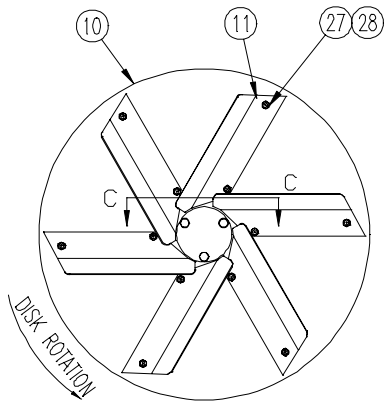


Twin Spinner Option Parts Listing

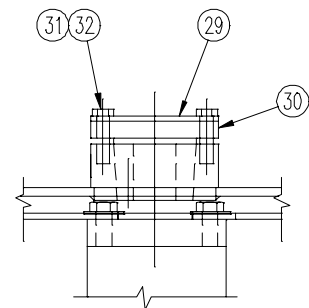
ITEM	PART DESCRIPTION	SERIAL	TO SERIAL	PART NO.	REV	QTY
1	HOPPER - TWIN SPINNER	15970	21115	36044510	00	1
2	GUARD - TWIN SPINNER	15970	21115	36044540	01	1
3	BAR - FRONT SUPPORT	15970	21115	36044550	06	2
4	DEFLECTOR - SAND	15970	21115	36044680	01	1
5	BRUSH	15970	21115	0000-7024	00	1
6	HOLDER - BRUSH	15970	21115	36044670	00	1
7	BRACKET - BRUSH	15970	21115	36044570	00	1
8	BOLT - GR8 3/8" X 1-1/4"	15970	21115	50031072	00	2
9	NUT - NYLOCK GR8 3/8"	15970	21115	50251002	00	6
10	WASHER - FLAT GR8 METALLOY 3/8"	15970	21115	50421028	00	17
11	BOLT - GR8 3/8" x 1"	15970	21115	50031070	00	4
12	BOLT - GR8 1/4" X 5/8"	15970	21115	50031003	00	7
13	NUT - NYLOCK GR8 1/4"	15970	21115	50251000	00	9
14	WASHER - FLAT GR8 METALLOY 1/4"	15970	21115	50421029	00	18
15	BOLT - GR8 1/4" X 3/4"	15970	21115	50031002	00	5
16	DISK STOPPER	15970	21115	36034630	00	2
17	WASHER - FLAT GR8 METALLOY 3/8"	15970	21115	50421028	00	2
18	BOLT - GR8 3/8" x 3/4"	15970	21115	50031068	00	2
19	PIN - HITCH	15970	21115	50992350	00	1
20	BOLT - GR8 1/4" x 3/4"	15970	21115	50031002	00	11
21	CLEVIS YOKE	15970	21115	62011144	00	1
22	BOLT - NF GR8 1/4" x 1"	15970	21115	50051004	00	1
23	BOLT - SWING	15970	21115	50171038	00	3
24	NUT - NYLOCK GR8 5/16"	15970	21115	50251003	00	6
25	WASHER - FLAT GR8 METALLOY 5/16"	15970	21115	50421026	00	9
26	NUT - NC GR8 5/16"	15970	21115	50201002	00	3
27	BOLT - NC GR8 5/16" X 1-1/4"	15970	21115	50031040	00	3
28	SERIAL NUMBER PLATE	15970	21115	CALL DIST.	00	1
29	TY-414 ISO READ MANUAL	15970	21115	60033517	00	1
30	TY-200 CYCLONE ACTION	15970	21115	60031618	00	1
30	TYCROP LOGO	19626	21115	0000-6034	00	1
31	TY-408 ISO SHEAR HAZARD	15970	21115	60033513	00	2
32	TY- ISO ISO GUARD IN PLACE	15970	21115	60033502	00	1
33	TY-401 ISO TWO PERSON LIFT	15970	21115	60033506	00	1
34	TY-402 ISO PROJECTILE HAZARD	15970	21115	60033507	00	1
*	HOUSING-TWIN SPINNER	6045	21115	36044600	00	1



TOP VIEW (L.H.)



TOP VIEW (R.H.)



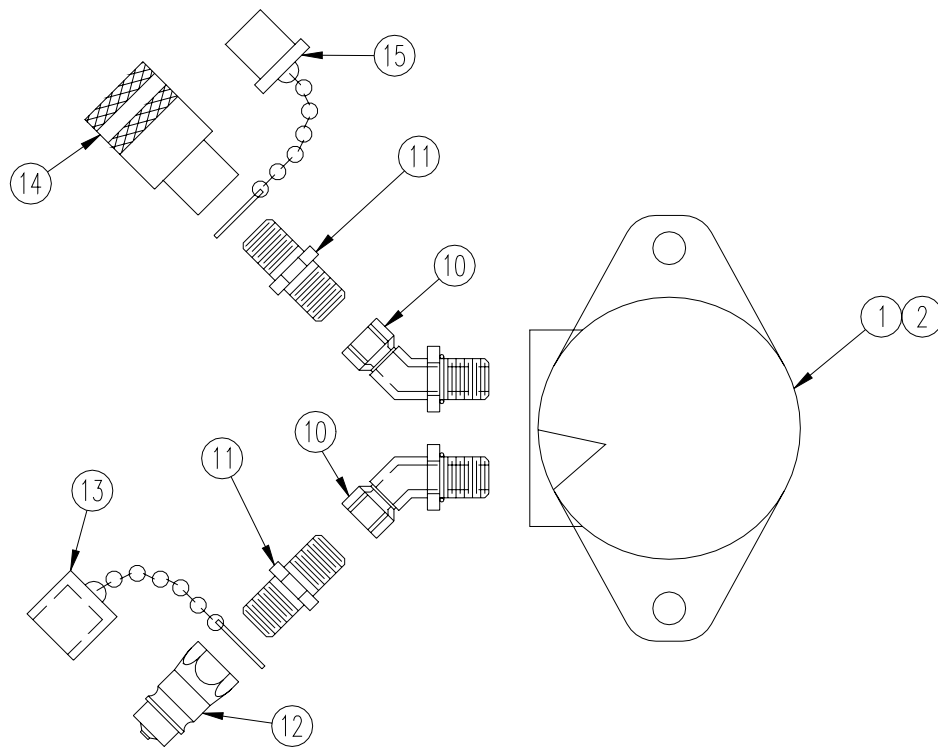
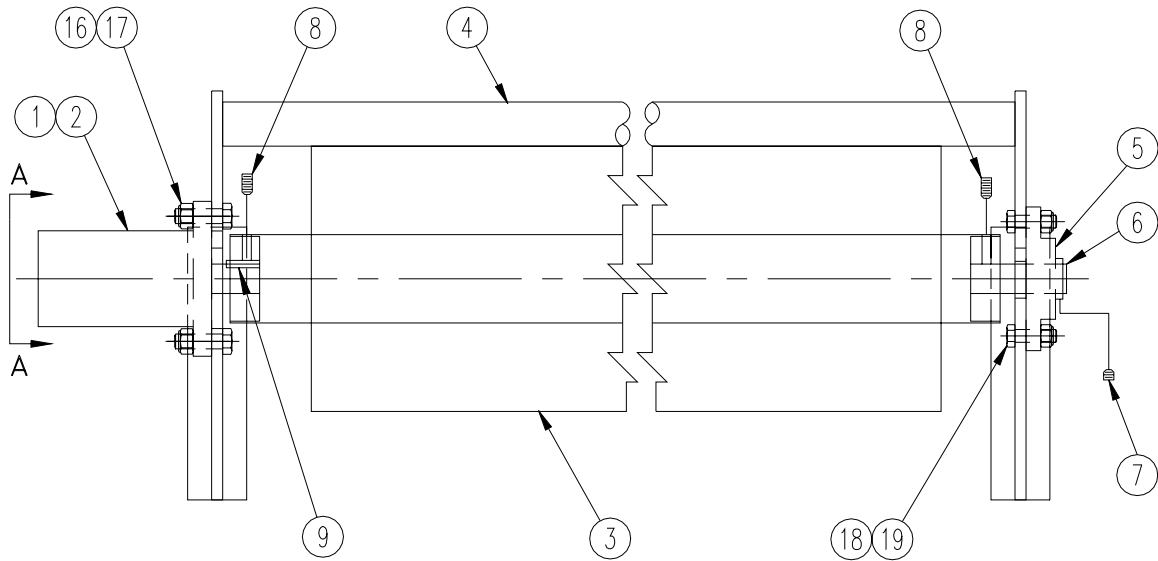
SECTION C-C

01-35743D02



ITEM	PART DESCRIPTION	SERIAL	TO SERIAL	PART NO.	REV	QTY
1	1/2" HOSE ASSEMBLY	15970	21115	36044700	00	1
2	1/2" HOSE ASSEMBLY	15970	21115	36044710	00	1
3	1/2" HOSE ASSEMBLY	15970	21115	36044720	00	1
4	1/2" HOSE ASSEMBLY	15970	21115	36044730	01	1
5	HYD MOTOR (146-2912)	15970	21115	56011030	00	2
6	SEAL KIT - HYDR. MOTOR	15970	21115	56013014	00	1
9	VIBRATOR - HYD	15970	21115	56011060	00	1
*	SEAL KIT VIBRATOR	15970	21115	56013060	00	1
10	SPINNER DISK - ADJUSTABLE R.H.	15970	21115	36034760	00	1
11	SPINNER PADDLE - R.H.	15970	21115	36044780	00	6
12	SPINNER DISK - ADJUSTABLE L.H.	15970	21115	36034750	00	1
13	SPINNER PADDLE - L.H.	15970	21115	36044770	00	6
14	QUICK COUPLER - FEMALE	15970	21115	56151009	00	1
15	PLUG 1/2"	15970	21115	56152150	00	1
16	QUICK COUPLER - MALE	15970	21115	56151014	00	1
17	CAP 1/2"	15970	21115	56152152	00	1
18	ELBOW 45 1/2MORG - 1/2PFT SWV	15970	21115	56091241	00	2
19	CONN 1/2JIC - 5/8 O-RING	15970	21115	56091379	00	4
20	CLAMP - HYD LINE	15970	21115	56171012	00	2
21	NUT - NYLOCK GR8 1/4"	15970	21115	50251000	00	1
22	WASHER - FLAT GR8 METALLOY 1/4"	15970	21115	50421029	00	1
27	BOLT -NC GR8 5/16" x 3/4"	15970	21115	50031036	00	24
28	NUT - NYLOCK GR8 5/16"	15970	21115	50251003	00	24
29	CAP - BUSHING	15970	21115	36034790	00	2
30	BUSHING TAPER / 1 BORE - P1	15970	21115	60181004	00	2
31	BOLT - NC GR8 5/16" x 1-1/4"	15970	21115	50031040	00	6
32	WASHER - LOCKING METALLOY 5/16"	15970	21115	50401042	00	6
33	BELT SCRUBBER RUBBER	15970	21115	36034650	00	1
34	BELT SCRUBBER RETAINER	15970	21115	36034660	00	1
35	BOLT CARR NC PLTD 1/4" x 1"	15970	21115	50091004	00	2
36	NUT - NYLOCK NC PLTD 1/4"	15970	21115	50241008	00	2
37	WASHER - FLAT CUT PLTD 1/4"	15970	21115	50421002	00	2
*	BELT SCRUBBER KIT (Incl Items 33 - 37)	15970	21115	36044640	00	2

Finishing Brush Option



SECTION A

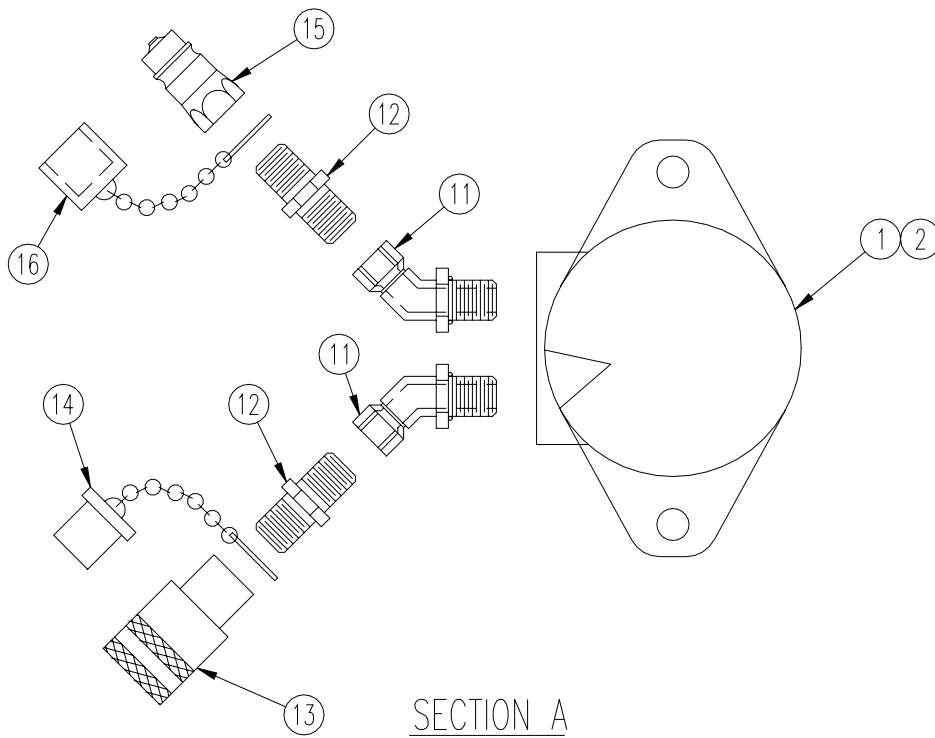
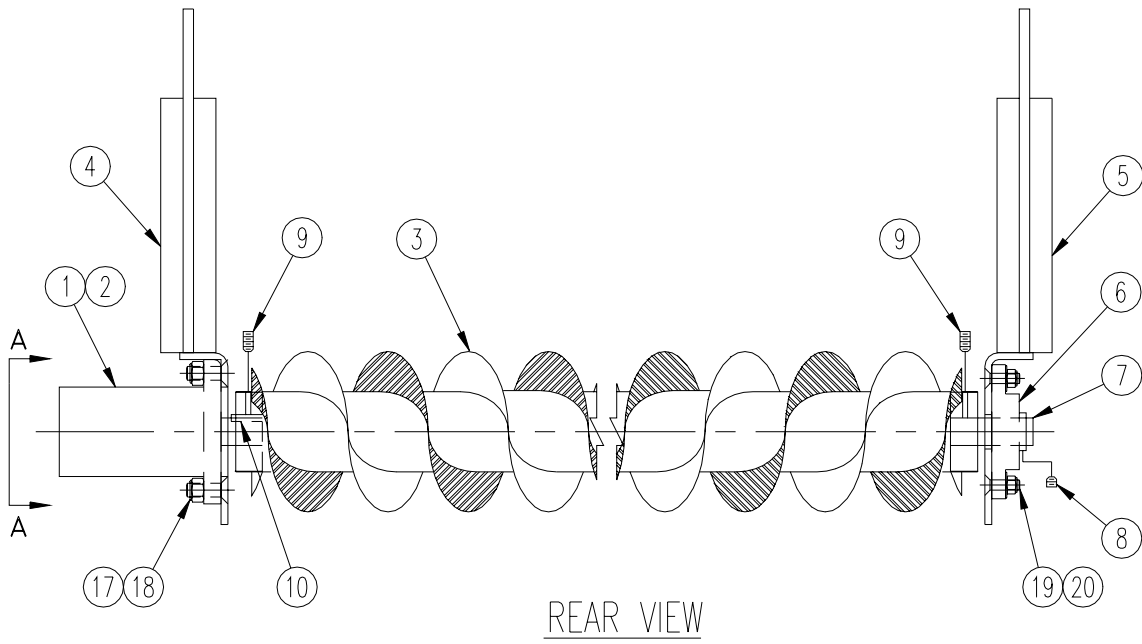
01-35736D



Finishing Brush Option Parts Listing

ITEM	PART DESCRIPTION	SERIAL	TO SERIAL	PART NO.	REV	QTY
1	HYD MOTOR (101-1033)	15941	21115	56011021	00	1
2	HYD MOTOR SEAL KIT	15941	21115	56013011	00	1
3	BRUSH - FINISHING	15941	21115	61071040	00	1
4	BRUSH SUPPORT	15941	21115	36035110	03	1
5	FLANGE BEARING	15941	21115	60115160	00	1
6	STUB - BRUSH BEARING	15941	21115	36035030	00	1
7	SET SCREW - 1/4" x 5/16" NF	15941	21115	51121092	00	1
8	SET SCREW - 1/4" x 1/2" NC	15941	21115	51121158	00	2
9	WOODRUFF KEY 1/4" x 1"	15941	21115	56013024	00	1
10	ELBOW 45 5/8MORG - 1/2FPT	15941	21115	56091240	00	2
11	CONN NIPPLE 1/2MPT - 1/2MPT	15941	21115	56091114	00	2
12	MALE QUICK COUPLER	15941	21115	56151014	00	1
13	CAP - MALE QUICK COUPLER	15941	21115	56152152	00	1
14	FEMALE QUICK COUPLER	15941	21115	56151009	00	1
15	PLUG - FEMALE QUICK COUPLER	15941	21115	56152150	00	1
16	BOLT - NC GR5 1/2" x 2"	15941	21115	50011150	00	2
17	NUT - NYLOCK 1/2"	15941	21115	50241016	00	2
18	BOLT - NC GR5 7/16" x 1-1/2"	15941	21115	50011116	00	2
19	NUT - NYLOCK 7/16"	15941	21115	50241014	00	2

Vortex Brush Option



01-35737D



Vortex Brush Option Parts Listing

ITEM	PART DESCRIPTION	SERIAL	TO SERIAL	PART NO.	REV	QTY
1	HYD MOTOR (101-1033)	16205	21115	56011021	00	1
*	SEAL KIT - HYD MOTOR	16205	21115	56013011	00	1
2	PLATE - TWO BOLT FLANGE	16205	21115	56013500	00	1
3	BRUSH - VORTEX	16205	21115	61071050	00	1
4	BRACKET - LEFT SIDE (MOTOR)	16205	21115	36035010	00	1
5	BRACKET - RIGHT SIDE (BEARING)	16205	21115	36035020	00	1
6	BEARING - FLANGE	16205	21115	60115160	00	1
7	SHAFT - BRUSH BEARING STUB	16205	21115	36035030	00	1
8	SET SCREW	16205	21115	51121092	00	1
9	SET SCREW	16205	21115	51121158	00	2
10	KEY - WOODRUFF	16205	21115	56013024	00	1
11	ELBOW 45 5/8" MORG - 1/2" FPT	16205	21115	56091240	00	2
12	CONN NIPPLE 1/2" MPT - 1/2" MPT	16205	21115	56091114	00	2
13	QUICKCOUPLER - FEMALE	16205	21115	56151009	00	1
14	PLUG	16205	21115	56152150	00	1
15	QUICKCOUPLER - MALE	16205	21115	56151014	00	1
16	CAP	16205	21115	56152152	00	1
17	NUT - NYLOCK 1/2"	16205	21115	50241016	00	2
18	BOLT - GLAT HEAD 1/2" x 1-3/4"	16205	21115	51151031	00	2
19	NUT - NYLOCK 7/16"	16205	21115	50241014	00	2
20	BOLT - FLAT HEAD 7/16" x 1-1/2"	16205	21115	51151013	00	2